

FEATURES

- ▷ Up to 18 SDI signals on ONE fiber
- ▷ Fiber transport from 19.4Mbps to 3Gbps
- ▷ Supports SMPTE 424M, 292M, 259M, 310M, 344M, 305M & DVB-ASI
- ▷ Equalizes 120m of Gepco VSD2001 or Belden 1694A cable at 3 Gb/sec
- ▷ Equalizes 150m of Gepco VSD2001 or Belden 1694A cable at 1.485 Gbps
- ▷ Supports embedded audio & data
- ▷ Plug and play
- ▷ Easy access to installed fiber infrastructures
- ▷ Small and portable
- ▷ Faster set and strike with fewer cables

APPLICATIONS

- ▷ Sports Broadcasting
- ▷ Shared control rooms
- ▷ Remote studios/STL's
- ▷ Tele-Medicine
- ▷ Distance learning
- ▷ Corporate A/V
- ▷ Taking advantage of stadium and campus fiber infrastructures

An economic trunking solution designed for SDI Video over fiber transmission.



Transmit



Receive

The VB-3811 is part of the versatile LightBrix line of compact, rugged fiber transport products designed for OB operators and anyone who needs to trunk multiple uncompressed SDI signals over fiber. Never before has a multi-channel SDI-over-fiber system been so easy to use and so portable. In just one RU, you can transport up to 18 SDI signals up to 3Gbps without compression over one single-mode fiber. The VB-3811 features LED's to indicate signal presence and optical link status.

When fibers are at a premium, the VB-3811's integrated CWDM passive optical multiplexer gets those signals onto just one fiber. By Integrating the CWDM we eliminate the need for external patching. The VB-3811 can be factory-configured for 4 to 18 signals in one

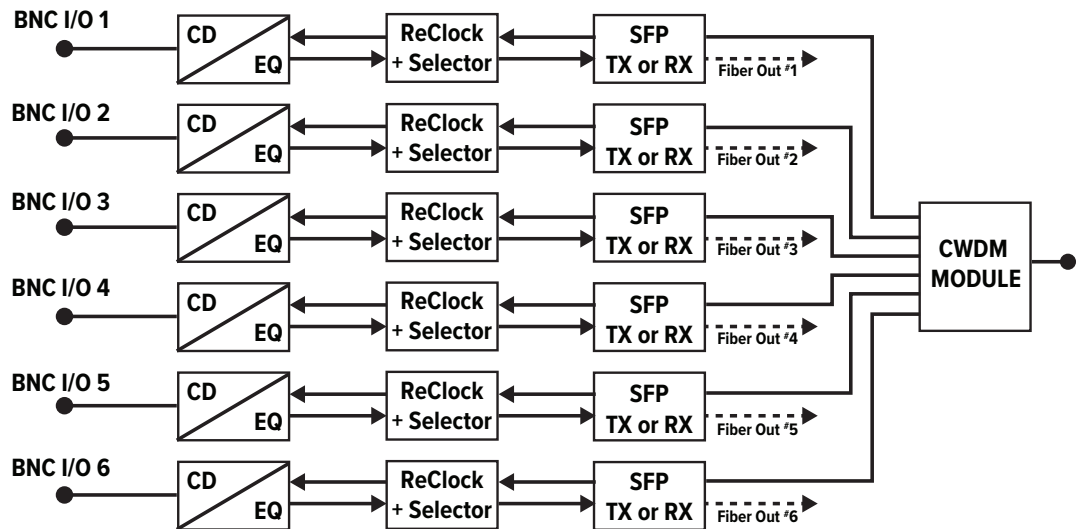
direction, or any combination to TX and RX to adapt to any signal requirement.

The VB-3811 can be used as a stand-alone device or mounted in a 1RU unit. Whether you are optimizing your fibers within a permanent campus or studio infrastructure, linking an "A" and "B" OB unit together or getting the most out of available fibers at the stadium, we have you covered.

The VB-3811 provides the easiest, most portable and most cost efficient way to move more full bandwidth HD-SDI video over distances up to 10km on fewer fibers.

APPLICATION

"VB-3811-6x6-A-ST" referenced below



TECHNICAL SPECIFICATIONS

Digital Video

Video Connectors	BNC
Transmitter	VB2 = up to 4 inputs VB6 = up to 12 inputs VB10 = up to 18 inputs
Receiver	VB2 = up to 4 outputs VB6 = up to 12 outputs VB10 = up to 18 outputs
Standard	SMPTE 424M, 297M, 292M, M259M-C, DVB-ASI
Input Coax EQ	3 Gbps: 120M 1.485 Gbps: 240M 143-260 Mbps: 450M
Input Level	100mV (peak to peak)
Impedance	75 Ohms
Return Loss	>15 dB at 5MHz-1.485 GHz >10 dB up to 3 GHz
Jitter	< 0.3UI under 1MHz
Rise/fall Times	< 800ps (SD), < 130ps (HD)
Bit-error Rate	10e-12

Optical

Operating Wavelengths	1471-1611nm
Tx Laser Output Power	0dBm (Class 1 Laser)
Receiver Sensitivity	-20dBm
Fiber Compatibility	Single-mode
Optical Connector Types	SC, ST, LC
Distance Limit	20km w/Single-mode

Overall

Dimensions	VB2 = (LxWxH) 7.25" x 2.875"x1.75" VB6 = (LxWxH) 7.25" x 5.75"x1.75" VB10 = (LxWxH) 7.25" x 8.75"x1.75"
------------	---------------------------------------------------------------------------------------------------------------

Power

Power Input:	2.5mm jack
Center Pin	+
Power Rating:	nominal 15w max@12 VDC

ORDERING INFORMATION

Part #	Description
V2-3811-4X0-A-ST	4 One-way Ch. 3G-SDI Video Transmitter, over ONE fiber, supporting SD/HD/3G-SDI, DVB ASI, SMPTE 310M; ST connector (Housed in portable throw down VB2 enclosure)
V2-3811-0X4-B-ST	4 One-way Ch. 3G-SDI Video Receiver, over ONE fiber, supporting SD/HD/3G-SDI, DVB ASI, SMPTE 310M; ST connector (Housed in portable throw down VB2 enclosure)
V2-3811-2X2-A-ST	2 Video Send/2 Video Receive 3G-SDI Transceiver, over ONE fiber, supporting SD/HD/3G-SDI, DVB ASI, SMPTE 310M; ST connector. Requires V2-3811-2X2-B-ST unit for operation (Housed in portable throw down VB2 enclosure)
V2-3811-2X2-B-ST	2 Video Send/2 Video Receive 3G-SDI Transceiver, over ONE fiber, supporting SD/HD/3G-SDI, DVB ASI, SMPTE 310M; ST connector. Requires V2-3811-2X2-A-ST unit for operation (Housed in portable throw down VB2 enclosure)
VB-3811-6X0-A-ST	6 One-way Ch. 3G-SDI Video Transmitter, over ONE fiber, supporting SD/HD/3G-SDI, DVB ASI, SMPTE 310M; ST connector (Housed in portable throw down VB6 enclosure; For rack mounting, add RM-BD-2LBUx kit)
VB-3811-0X6-B-ST	6 One-way Ch. 3G-SDI Video Receiver, over ONE fiber, supporting SD/HD/3G-SDI, DVB ASI, SMPTE 310M; ST connector (Housed in portable throw down VB6 enclosure; For rack mounting, add RM-BD-2LBUx kit)
VB-3811-4X2-A-ST	4 Video Send/2 Video Receive 3G-SDI Transceiver, over ONE fiber, supporting SD/HD/3G-SDI, DVB ASI, SMPTE 310M; ST connector. Requires VB-3811-2X4-B-ST unit for operation (Housed in portable throw down VB6 enclosure; For rack mounting, add RM-BD-2LBUx kit)
VB-3811-2X4-B-ST	2 Video Send/4 Video Receive 3G-SDI Transceiver, over ONE fiber, supporting SD/HD/3G-SDI, DVB ASI, SMPTE 310M; ST connector. Requires VB-3811-4X2-A-ST unit for operation (Housed in portable throw down VB6 enclosure; For rack mounting, add RM-BD-2LBUx kit)
VB-3811-3X3-A-ST	3 Video Send/3 Video Receive 3G-SDI Transceiver, over ONE fiber, supporting SD/HD/3G-SDI, DVB ASI, SMPTE 310M; ST connector. Requires VB-3811-3X3-B-ST unit for operation (Housed in portable throw down VB6 enclosure; For rack mounting, add RM-BD-2LBUx kit)
VB-3811-3X3-B-ST	3 Video Send/3 Video Receive 3G-SDI Transceiver, over ONE fiber, supporting SD/HD/3G-SDI, DVB ASI, SMPTE 310M; ST connector. Requires VB-3811-3X3-A-ST unit for operation (Housed in portable throw down VB6 enclosure; For rack mounting, add RM-BD-2LBUx kit)

.....Ordering Information continued on next page

ORDERING INFORMATION (CONTINUED)

Part #	Description
VB-3811-8X0-A-ST	8 One-way Ch. 3G-SDI Video Transmitter, over ONE fiber, supporting SD/HD/3G-SDI, DVB ASI, SMPTE 310M; ST connector (Housed in portable throw down VB6 enclosure; For rack mounting, add RM-BD-2LBUx kit)
VB-3811-0X8-B-ST	8 One-way Ch. 3G-SDI Video Receiver, over ONE fiber, supporting SD/HD/3G-SDI, DVB ASI, SMPTE 310M; ST connector (Housed in portable throw down VB6 enclosure; For rack mounting, add RM-BD-2LBUx kit)
VB-3811-4X4-A-ST	4 Video Send/4 Video Receive 3G-SDI Transceiver, over ONE fiber, supporting SD/HD/3G-SDI, DVB ASI, SMPTE 310M; ST connector. Requires VB-3811-4X4-B-ST unit for operation (Housed in portable throw down VB6 enclosure; For rack mounting, add RM-BD-2LBUx kit)
VB-3811-4X4-B-ST	4 Video Send/4 Video Receive 3G-SDI Transceiver, over ONE fiber, supporting SD/HD/3G-SDI, DVB ASI, SMPTE 310M; ST connector. Requires VB-3811-4X4-A-ST unit for operation (Housed in portable throw down VB6 enclosure; For rack mounting, add RM-BD-2LBUx kit)
VB-3811-12X0-A-ST	12 One-way Ch. 3G-SDI Video Transmitter, over ONE fiber, supporting SD/HD/3G-SDI, DVB ASI, SMPTE 310M; ST connector (Housed in portable throw down VB6 enclosure; For rack mounting, add RM-BD-2LBUx kit)
VB-3811-0X12-B-ST	12 One-way Ch. 3G-SDI Video Receiver, over ONE fiber, supporting SD/HD/3G-SDI, DVB ASI, SMPTE 310M; ST connector (Housed in portable throw down VB6 enclosure; For rack mounting, add RM-BD-2LBUx kit)
VB-3811-6X6-A-ST	6 Video Send/6 Video Receive 3G-SDI Transceiver, over ONE fiber, supporting SD/HD/3G-SDI, DVB ASI, SMPTE 310M; ST connector. Requires VB-3811-6X6-B-ST unit for operation (Housed in portable throw down VB6 enclosure; For rack mounting, add RM-BD-2LBUx kit)
VB-3811-6X6-B-ST	6 Video Send/6 Video Receive 3G-SDI Transceiver, over ONE fiber, supporting SD/HD/3G-SDI, DVB ASI, SMPTE 310M; ST connector. Requires VB-3811-6X6-A-ST unit for operation (Housed in portable throw down VB6 enclosure; For rack mounting, add RM-BD-2LBUx kit)
V10-3811-16X0-A-ST	16 One-way Ch. 3G-SDI Video Transmitter, over ONE fiber, supporting SD/HD/3G-SDI, DVB ASI, SMPTE 310M; ST connector (Housed in portable throw down VB10 enclosure; For rack mounting, add RM-VB10-x kit)
V10-3811-0X16-B-ST	16 One-way Ch. 3G-SDI Video Receiver, over ONE fiber, supporting SD/HD/3G-SDI, DVB ASI, SMPTE 310M; ST connector (Housed in portable throw down VB10 enclosure; For rack mounting, add RM-VB10-x kit)
V10-3811-8X8-A-ST	8 Video Send/8 Video Receive 3G-SDI Transceiver, over ONE fiber, supporting SD/HD/3G-SDI, DVB ASI, SMPTE 310M; ST connector. Requires V10-3811-8X8-B-ST unit for operation (Housed in portable throw down VB10 enclosure; For rack mounting, add RM-VB10-x kit)
V10-3811-8X8-B-ST	8 Video Send/8 Video Receive 3G-SDI Transceiver, over ONE fiber, supporting SD/HD/3G-SDI, DVB ASI, SMPTE 310M; ST connector. Requires V10-3811-8X8-A-ST unit for operation (Housed in portable throw down VB10 enclosure; For rack mounting, add RM-VB10-x kit)
V10-3811-18X0-A-ST	18 One-way Ch. 3G-SDI Video Transmitter, over ONE fiber, supporting SD/HD/3G-SDI, DVB ASI, SMPTE 310M; ST connector (Housed in portable throw down VB10 enclosure; For rack mounting, add RM-VB10-x kit)
V10-3811-0X18-B-ST	18 One-way Ch. 3G-SDI Video Receiver, over ONE fiber, supporting SD/HD/3G-SDI, DVB ASI, SMPTE 310M; ST connector (Housed in portable throw down VB10 enclosure; For rack mounting, add RM-VB10-x kit)
V10-3811-9X9-A-ST	9 Video Send/9 Video Receive 3G-SDI Transceiver, over ONE fiber, supporting SD/HD/3G-SDI, DVB ASI, SMPTE 310M; ST connector. Requires V10-3811-9X9-B-ST unit for operation (Housed in portable throw down VB10 enclosure; For rack mounting, add RM-VB10-x kit)
V10-3811-9X9-B-ST	9 Video Send/9 Video Receive 3G-SDI Transceiver, over ONE fiber, supporting SD/HD/3G-SDI, DVB ASI, SMPTE 310M; ST connector. Requires V10-3811-9X9-A-ST unit for operation (Housed in portable throw down VB10 enclosure; For rack mounting, add RM-VB10-x kit)
RM-BD-2LBU1	1RU Rack Kit for mounting (1) VB-3811 unit into 1RU rack space
RM-BD-2LBU2	1RU Rack Kit for mounting (2) VB-3811 units into 1RU rack space
RM-BD-2LBU3	1RU Rack Kit for mounting (3) VB-3811 units into 1RU rack space
RM-VB10-1	1RU Rack Kit for mounting (1) V10-3811 unit into 1RU rack space
RM-VB10-2	1RU Rack Kit for mounting (2) V10-3811 units into 1RU rack space
MDS050-P120	Spare Power Supply for all V2-3811, VB-3811 and V10-3811 products

Don't see the signal config you need? Contact the MultiDyne Sales Office for other available model options.