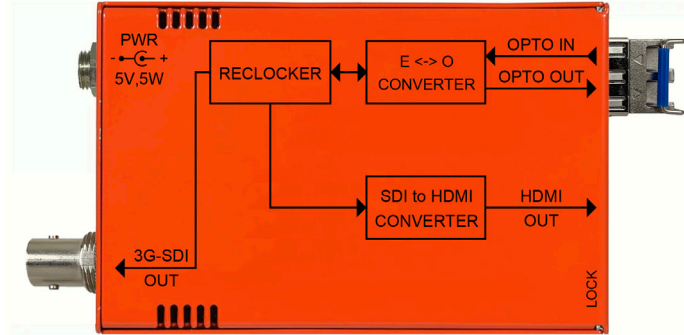


FEATURES

- ▷ Excellent Value
- ▷ Compact Size
- ▷ Rugged Steel Enclosure
- ▷ Highest of Quality Components

APPLICATIONS

- ▷ Live Broadcast
- ▷ Arenas and Stadiums
- ▷ Shared Control Rooms
- ▷ Campus Facilities



NBX-RXT-3G-HDMI

The NBX-RXT-3G-HDMI is a 3G/HD/SD-SDI Fiber to HDMI converter designed for broadcast use. It provides fiber regeneration, optical to electrical conversion as well as HDMI conversion all in one single compact unit.

The NBX-RXT-3G-HDMI is able to receive an optical 3G/HD/SD-SDI signal on an LC connector from up to 10km in distance using single-mode fiber cable. A regenerated optical output of that signal is also available on an LC connector. Additionally the NBX-RXT-3G-HDMI will convert the optical signal to an SDI signal on a 75 Ohm BNC and also provides an HDMI

output on a standard HDMI connector.

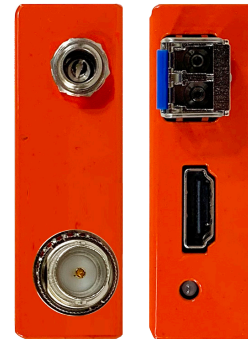
A dual color LED will illuminate green indicating the NBX-RXT-3G-HDMI is locked to a valid SDI input signal or the LED will be illuminated red showing the unit is powered but not locked to a valid input signal.

The NBX-RXT-3G-HDMI has a rugged solid steel powder coated chassis and is powered by an external AC adapter with a locking DC connector supplied with the module.

NBX-RXT-3G-HDMI CONNECTORS

Locking DC Connector for AC Adapter

SDI Output



LC Fiber Connector (Input)
LC Fiber Connector (Output)

HDMI Output

TECHNICAL SPECIFICATIONS

Mechanical, Environmental

Power	5VDC, .5W Adapter
Dimensions	3.875" x 2.00" x 0.688" (L x W x H)
Weight	6.0oz

ORDERING INFORMATION

Part #	Description
NBX-RXT-3G-HDMI	3G/HD/SD-SDI Fiber Optic to SDI and HDMI Outputs. Includes Power Supply.