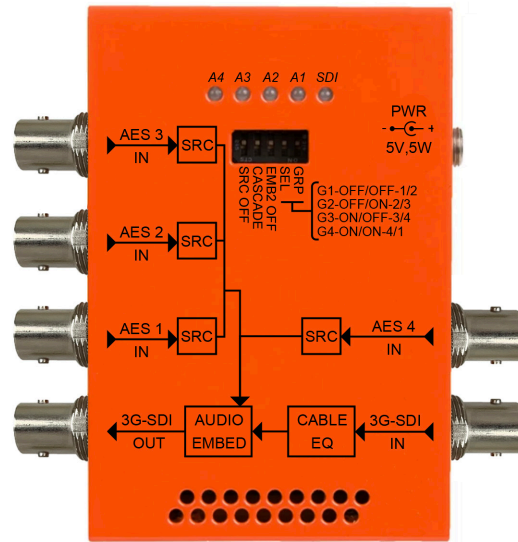


### FEATURES

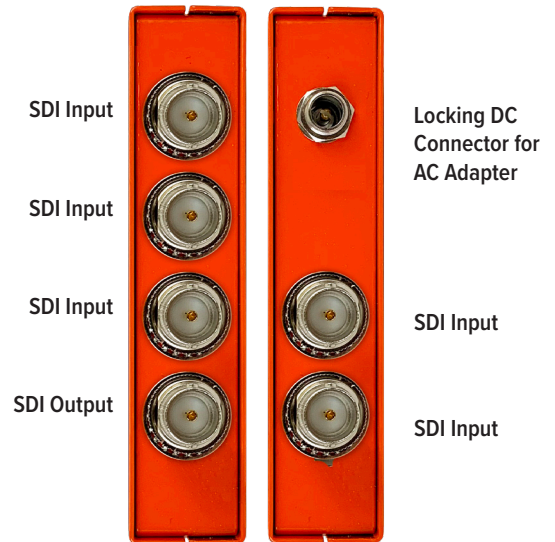
- ▷ Excellent Value
- ▷ Compact Size
- ▷ Rugged Steel Enclosure
- ▷ Highest of Quality Components

### APPLICATIONS

- ▷ Live Broadcast
- ▷ Arenas and Stadiums
- ▷ Shared Control Rooms
- ▷ Campus Facilities



NBX-EM-4AES-3G



The NBX-EM-4AES-3G from MultiDyne provides a cost-effective miniature solution to mux four AES/EBU digital audio signals into a 3G/HD/SD-SDI signal.

The NBX-EM-4AES-3G accepts one SDI signal and provides one processed SDI output on BNC connectors. The four DIP switch assignable AES/EBU inputs are also provided on BNC connectors.

A dual-color LED indicator provides SDI signal status indication. A green LED indicates the unit is locked to a valid SDI signal while a red LED indicates a valid SDI signal is not present at the input.

When illuminated green the four LED's labeled A1, A2, A3, A4 indicate that AES/EBU audio is detected on those inputs and is available to be muxed. If the LED is not illuminated this indicates that no audio is present on the respective input.

In addition to the group assign DIP switches you can turn the SRC off to accommodate embedding of Dolby E/AC-3 encoded audio. The cascade switch allows you to replace the audio already present in the assigned group and the mux2 off switch allows you to use this as a 1 group muxer.

Power to the NBX-EM-4AES-3G is provided by an external AC Adapter with a locking DC connector supplied with the module.

### TECHNICAL SPECIFICATIONS

#### Mechanical, Environmental

Power	5VDC, .5W Adapter
Dimensions	3.938" x 2.625" x 0.813" (L x W x H)
Weight	7.8oz

### ORDERING INFORMATION

Part #	Description
NBX-EM-4AES-3G	3G/HD/SD-SDI Audio Embedder 4 AES/EBU Inputs. Includes Power Supply.