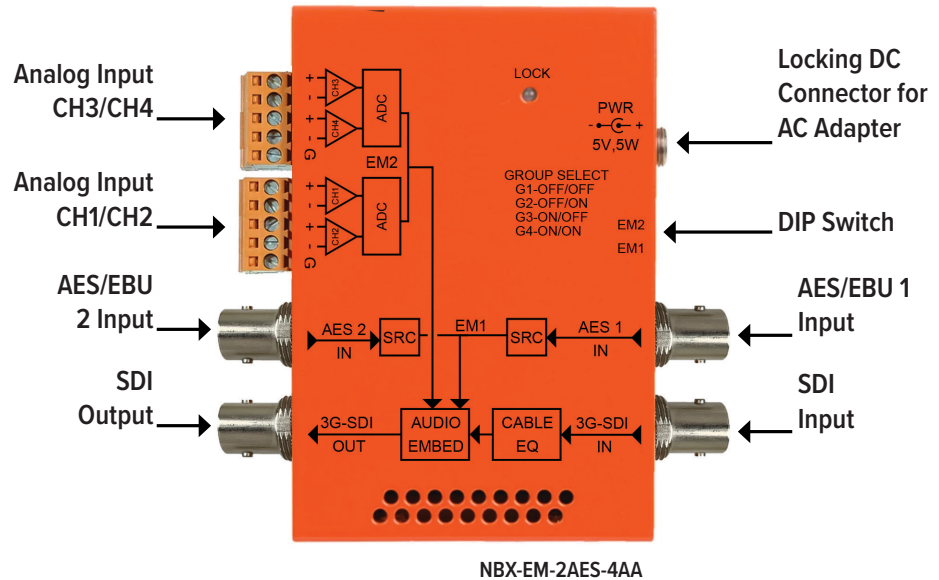


## FEATURES

- ▷ Excellent Value
- ▷ Compact Size
- ▷ Rugged Steel Enclosure
- ▷ Highest of Quality Components

## APPLICATIONS

- ▷ Live Broadcast
- ▷ Arenas and Stadiums
- ▷ Shared Control Rooms
- ▷ Campus Facilities



The NBX-EM-2AES-4AA is a 3G/HD/SD-SDI audio multiplexer designed to simultaneously embed 2 AES/EBU signals as well as 2 stereo analog audio signals into an SDI.

The NBX-EM-2AES-4AA accepts a 3G/HD/SD-SDI signal on an BNC connector a processed output of that signal with the audio embedded is also available on a BNC connector. A recessed DIP switch allows the user to assign the AES/EBU audio inputs and the analog audio inputs to any of the 4 groups to be embedded. The 2 unbalanced AES/EBU signals are on 75 Ohm BNC connectors while the balanced stereo analog audio inputs are on 5 pin pluggable terminal block connectors.

A dual color LED will illuminate green indicating the NBX-EM-2AES-4AA is locked to a valid SDI input signal or the LED will be illuminated red showing the unit is powered but not locked to a valid input signal.

The NBX-EM-2AES-4AA has a rugged solid steel powder coated chassis and is powered by an external AC adapter with a locking DC connector supplied with the module.

## TECHNICAL SPECIFICATIONS

### Mechanical, Environmental

Power	5VDC, .5W Adapter
Dimensions	3.938" x 2.625" x 0.813" (L x W x H)
Weight	7.8oz

## ORDERING INFORMATION

Part #	Description
NBX-EM-2AES-4AA	3G/HD/SD-SDI Audio Embedder 2 AES/EBU + 4 Analog Audio Inputs. Includes Power Supply.