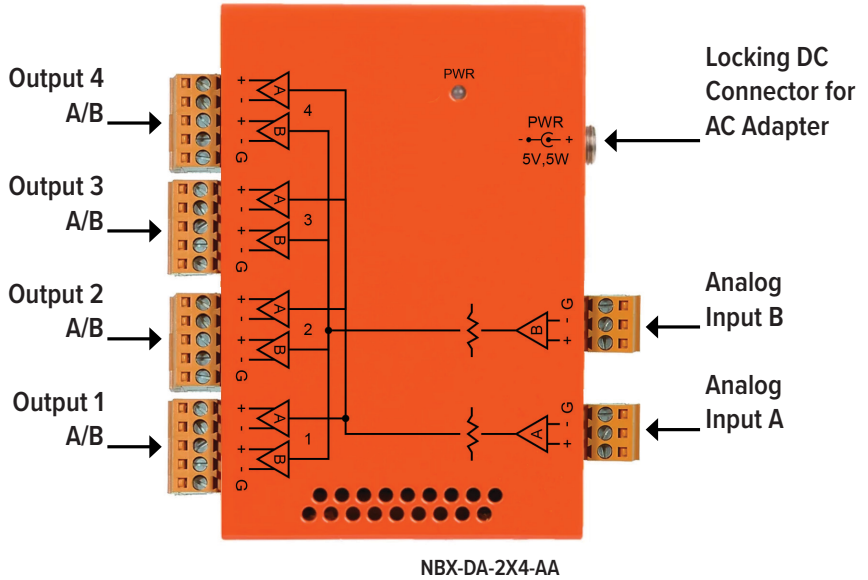


FEATURES

- ▷ Excellent Value
- ▷ Compact Size
- ▷ Rugged Steel Enclosure
- ▷ Highest of Quality Components

APPLICATIONS

- ▷ Live Broadcast
- ▷ Arenas and Stadiums
- ▷ Shared Control Rooms
- ▷ Campus Facilities



The NBX-DA-2X4-AA is an analog audio distribution amplifier designed for broadcast use. It provides up to 8 copies of the incoming balanced analog audio signal on pluggable terminal block connectors.

The NBX-DA-2X4-AA has 2 modes of operation either as a mono 1 input 8 output or 2 input 4 output stereo distribution amplifier.

The NBX-DA-2X4-AA has 2 inputs on 3 pin terminal blocks each with an input trim control potentiometer for signal calibration. The outputs on the NBX-DA-2X4-AA are on 5 pin terminal blocks.

An LED located on the front panel is illuminated green when the NBX-DA-2X4-AA is powered.

The NBX-DA-2X4-AA has a rugged solid steel powder coated chassis and is powered by an external AC adapter with a locking DC connector supplied with the module.

TECHNICAL SPECIFICATIONS

Mechanical, Environmental

Power	5VDC, .5W Adapter
Dimensions	3.938" x 2.625" x 0.813" (L x W x H)
Weight	7.8oz

ORDERING INFORMATION

Part #	Description
NBX-DA-2X4-AA	1x8/2x4 Analog Audio Distribution Amplifier. Includes Power Supply.