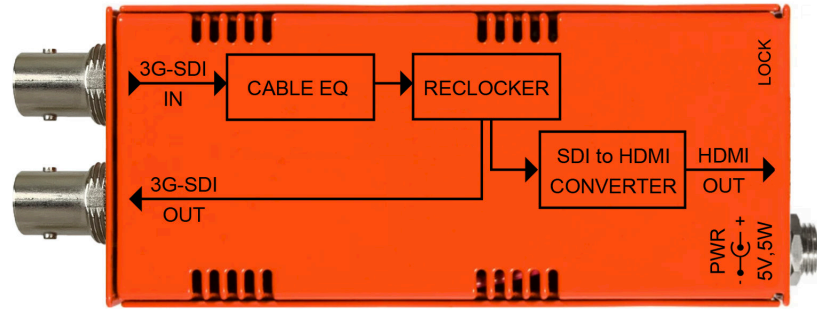


FEATURES

- ▷ Excellent Value
- ▷ Compact Size
- ▷ Rugged Steel Enclosure
- ▷ Highest of Quality Components

APPLICATIONS

- ▷ Live Broadcast
- ▷ Arenas and Stadiums
- ▷ Shared Control Rooms
- ▷ Campus Facilities



NBX-3G-HDMI

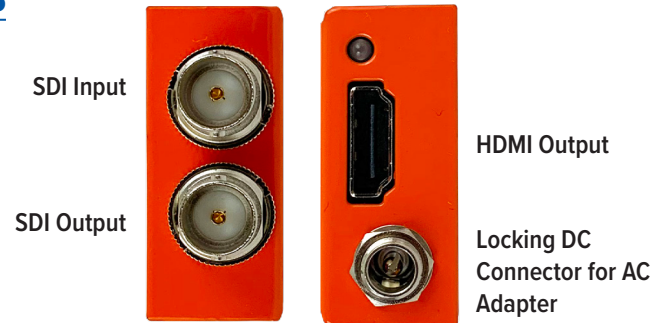
The NBX-3G-HDMI from MultiDyne provides a miniature solution to convert a 3G/HD/SD-SDI signal to an HDMI signal in a package small enough to hang right behind your monitor.

The unit accepts one SDI signal on a BNC connector and provides one reclocked SDI output on a BNC as well as one HDMI output on a standard HDMI connector.

The NBX-3G-HDMI provides reclocking of the incoming SDI signal on the BNC connectors. A dual-LED indicator provides a GREEN status indication to show that the reclocker is locked to a valid SDI signal or a RED status indicating a valid SDI signal is not present.

Power to the NBX-3G-HDMI is provided by an external AC Adapter with a locking DC connector supplied with the module.

NBX-3G-HDMI CONNECTORS



TECHNICAL SPECIFICATIONS

Mechanical, Environmental

Power	5VDC, .5W Adapter
Dimensions	3.875" x 1.750" x 0.688" (L x W x H)
Weight	5.0 oz

ORDERING INFORMATION

Part #	Description
NBX-3G-HDMI	3G/HD/SD-SDI to HDMI Converter