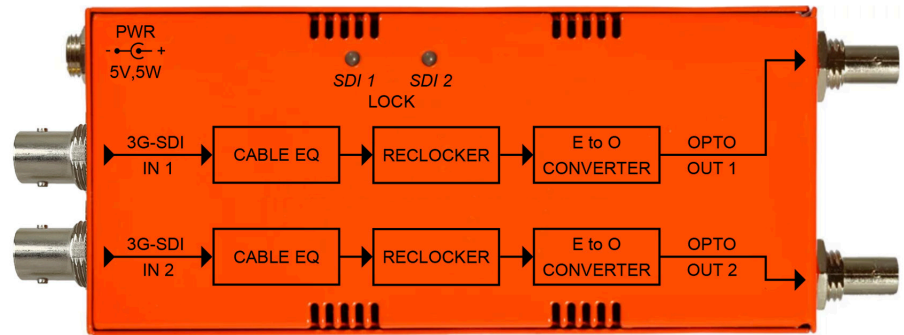


FEATURES

- ▷ Excellent Value
- ▷ Compact Size
- ▷ Rugged Steel Enclosure
- ▷ Highest of Quality Components

APPLICATIONS

- ▷ Live Broadcast
- ▷ Arenas and Stadiums
- ▷ Shared Control Rooms
- ▷ Campus Facilities



NBX-2TX-3G-ST

The NBX-2TX-3G-ST from MultiDyne provides a miniature solution to transmit two 3G/HD/SD-SDI signals over single-mode fiber optic cable using ST fiber optic connectors at distances up to 10km.

The unit accepts two SDI signals on 75 Ohm BNC connectors and provides one optical output of each signal on an ST connector over single-mode fiber optic cable with a 1310 nm wavelength.

The NBX-2TX-3G-ST provides reclocking on both of the incoming SDI signals on the BNC connectors. Dual-color LED indicators to provide a GREEN status indication to show that the reclockers are locked to valid SDI signals or a RED status indication to show valid SDI signals are not present at the inputs.

Power to the NBX-2TX-3G-ST is provided by an external AC Adapter with locking DC connector supplied with the module.

NBX-2TX-3G-ST CONNECTORS



TECHNICAL SPECIFICATIONS

Mechanical, Environmental

Power	5VDC, .5W Adapter
Dimensions	4.875" x 2.188" x 0.813" (L x W x H)
Weight	7.9oz

ORDERING INFORMATION

Part #	Description
NBX-2TX-3G-ST	3G/HD/SD-SDI Dual Fiber Optic Transmitter ST Connectors. Includes Power Supply.