

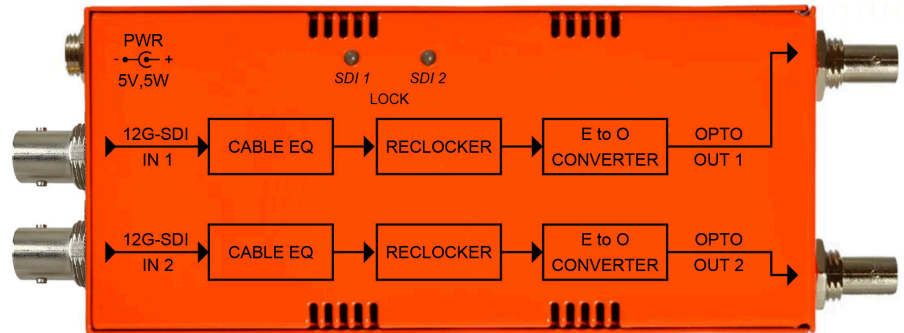
FEATURES

- ▷ Excellent Value
- ▷ Compact Size
- ▷ Rugged Steel Enclosure
- ▷ Highest of Quality Components

APPLICATIONS

- ▷ Live Broadcast
- ▷ Arenas and Stadiums
- ▷ Shared Control Rooms
- ▷ Campus Facilities

12G/6G/3G/HD/SD-SDI Dual Fiber Optic Transmitter with ST Connectors



NBX-2TX-12G-ST

The NBX-2TX-12G-ST from MultiDyne provides a cost effective miniature solution to transmit two 12G/6G/3G/HD/SD-SDI signals over single mode fiber optic cable using ST connectors at distances up to 10km.

Dual color LED indicators provide a GREEN status indication to show that the reclockers are locked to valid SDI signals or a RED status indication to show valid SDI signals are not present at the inputs.

The unit accepts two SDI signals on 75 Ohm BNC connectors and provides one optical output of each signal on an ST connector over single mode fiber optic cable with a 1310 nm wavelength.

Power to the NBX-2TX-12G-ST is provided by an external AC Adapter with locking DC connector supplied with the module.

The NBX-2TX-12G-ST provides reclocking on both of the incoming SDI signals on the BNC connectors.

NBX-2TX-12G-ST CONNECTORS

Locking DC Connector for AC Adapter

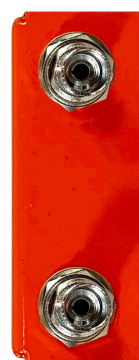
SDI Input

SDI Input



ST Fiber Optic Output

ST Fiber Optic Output



ORDERING INFORMATION

Part #	Description
NBX-2TX-12G-ST	12G/6G/3G/HD/SD-SDI Dual Fiber Optic Transmitter ST Connectors. Includes Power Supply.