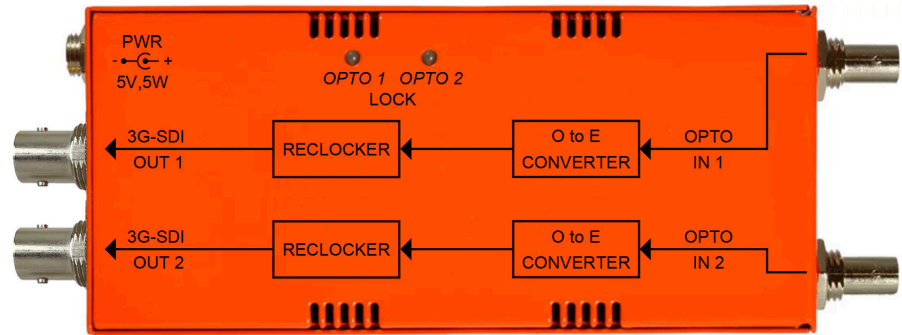


### FEATURES

- ▷ Excellent Value
- ▷ Compact Size
- ▷ Rugged Steel Enclosure
- ▷ Highest of Quality Components

### APPLICATIONS

- ▷ Live Broadcast
- ▷ Arenas and Stadiums
- ▷ Shared Control Rooms
- ▷ Campus Facilities



**NBX-2RX-3G-ST**

The NBX-2RX-3G-ST from MultiDyne provides a miniature solution to receive two 3G/HD/SD-SDI signals over single-mode fiber optic cable using ST connectors at distances up to 10km.

The NBX-2RX-3G-ST provides two SDI fiber optic inputs on ST connectors with a wavelength range of 1270 nm to 1610 nm and offers one output of each SDI signal on a 75 Ohm BNC connector.

The NBX-2RX-3G-ST provides reclocking on both of the outgoing SDI signals on the BNC connectors. Dual Color LED indicators provide a GREEN status indication to show that the reclockers are locked to valid SDI signals or a RED status indication to show a valid SDI signal is not present.

Power to the NBX-2RX-3G-ST is provided by an external AC Adapter with a locking DC connector supplied with the module.

### NBX-2RX-3G-ST CONNECTORS



### TECHNICAL SPECIFICATIONS

#### Mechanical, Environmental

Power	5VDC, .5W Adapter
Dimensions	4.875" x 2.188" x 0.813" (L x W x H)
Weight	7.9oz

### ORDERING INFORMATION

Part #	Description
NBX-2RX-3G-ST	3G/HD/SD-SDI Dual Fiber Optic Receiver ST Connectors Includes Power Supply.