

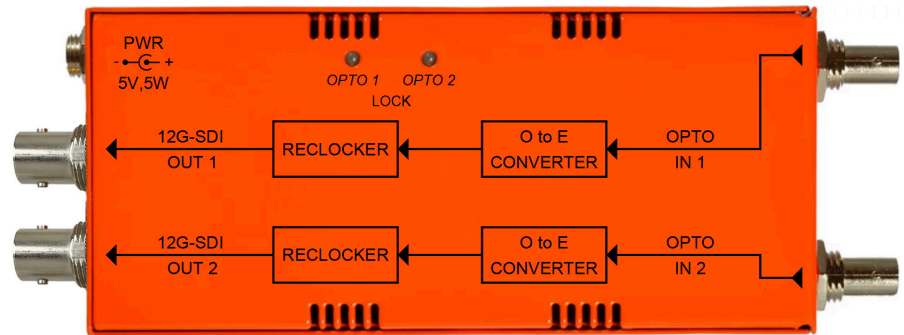
**FEATURES**

- ▷ Excellent Value
- ▷ Compact Size
- ▷ Rugged Steel Enclosure
- ▷ Highest of Quality Components

**APPLICATIONS**

- ▷ Live Broadcast
- ▷ Arenas and Stadiums
- ▷ Shared Control Rooms
- ▷ Campus Facilities

**12G/6G/3G/HD/SD-SDI Dual Fiber Optic Receiver with ST Connectors**



**NBX-2RX-12G-ST**

The NBX-2RX-12G-ST from MultiDyne provides a cost effective miniature solution to receive two 12G/6G/3G/HD/SD-SDI signals over single mode fiber optic cable using ST connectors at distances up to 10km.

Dual Color LED indicators provide a GREEN status indication to show that the reclockers are locked to valid SDI signals or a RED status indication to show a valid SDI signal is not present.

The NBX-2RX-12G-ST provides two SDI fiber optic inputs on ST connectors with a wavelength range of 1270 nm to 1610 nm and offers one output of each SDI signal on a 75 Ohm BNC connector.

Power to the NBX-2RX-12G-ST is provided by an external AC Adapter with locking DC connector supplied with the module.

The NBX-2RX-12G-ST provides reclocking on both of the outgoing SDI signals on the BNC connectors.

**NBX-2RX-12G-ST CONNECTORS**

Locking DC Connector for AC Adapter

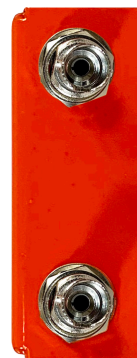
SDI Output

SDI Output



ST Fiber Optic Input

ST Fiber Optic Input



**ORDERING INFORMATION**

Part #	Description
NBX-2RX-12G-ST	12G/6G/3G/HD/SD-SDI Dual Fiber Optic Receiver ST Connectors. Includes Power Supply.