

FEATURES

- ▷ Turns Any Digital Optical Signal Into CWDM
- ▷ Put Up To 18 Optical Signals or Up To 18 SDI Video On 1 fiber
- ▷ Optical Signals Up To 4.25Gb/sec/input
- ▷ Video Signals Up To 3Gb/sec/ Input
- ▷ Repeats and Re-Transmits With New Optical Budget
- ▷ Plug & Play
- ▷ No Longer A Need For Wavelength Specific Spares In CWDM Apps
- ▷ Easy Access to Installed Fiber Infrastructures
- ▷ Extends Useful Life of Legacy Fiber Equipment
- ▷ Small & Portable
- ▷ Faster Set and Strike With Fewer Cables

APPLICATIONS

- ▷ Sports Broadcasting
- ▷ Shared Control Rooms
- ▷ Remote Studios/STL's
- ▷ Telemedicine
- ▷ Distance Learning
- ▷ Corporate A/V Taking Advantage of Stadium and Campus Fiber Infrastructures

MUX Multiple SMPTE Cameras (or Anything) Onto One Fiber



The FiberSaver series was designed and built to help engineers and designers to recover from situations where there are many signals to move over fiber, but not enough available fibers due to a lack of access to run more fiber or full cable trays. With the FiberSaver Series, input any digital optical signal with a data rate of up to 4.25Gb/sec and it will be received and then retransmitted at a CWDM wavelength and launched into the CWDM multiplexer. At the other end of the link, the signal is then demultiplexed and restored. Up to 18 optical signals can be combined without the complexity of having specific CWDM lasers – and their spares – for each of your optical sources.

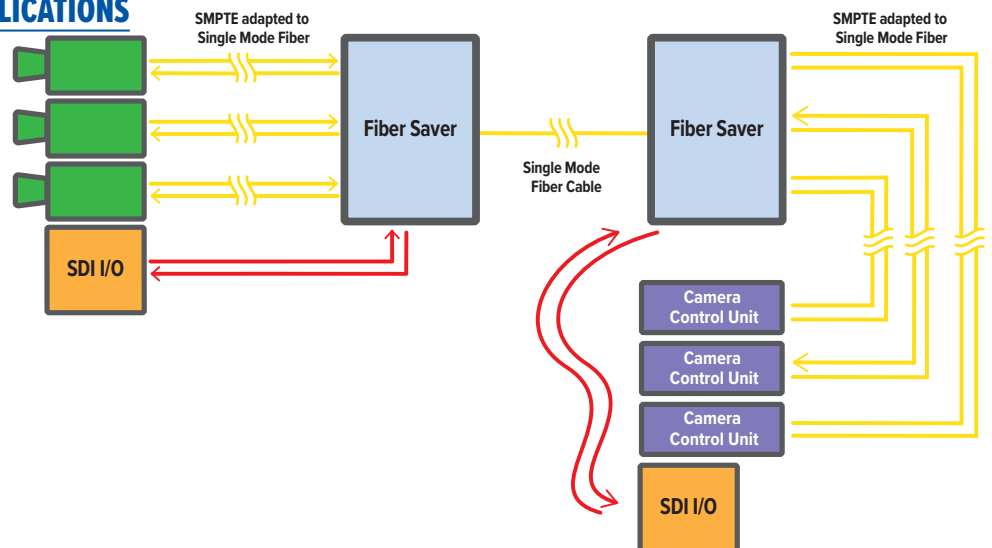
Alternately, you can use the BNC inputs and outputs can be used to transport up to six SDI signals at a full, uncompressed 3Gb/sec on just one fiber. And the built-in reclockers ensure that your signals arrive in pristine condition.

Since the FiberSaver is receiving and then re-transmitting the optical signal, you get a fresh optical budget that allows transmission over even longer distances. And, this doesn't work just for MultiDyne equipment. Any optical signal that is digital (even analog signals that are digitally encoded) and less than 4.25Gb/sec can be used including older multimode systems and MADI audio signals.

The FS-12000 and the FS-18000 are a standard 19" 1RU. Whether you are optimizing your fibers within a permanent facility infrastructure or getting the most out of available fibers at a remote venue, we have you covered. With a FiberSaver, you are ready for the last minute signal requests that always seem to arise.

The Fiber Saver Series. The most economical way to maximize your fiber usage today while providing excess capacity for tomorrow.

APPLICATIONS



TECHNICAL SPECIFICATIONS

SDI Input/Output

Bit Rates	19 Mbps to 3Gbps
Connectors	BNC
Impedance	75 Ohms
Signal Level	800 mV nominal pp
Standard	SMPTE 425M, 297M, 292M, 259M-C & DVB-ASI
Return Loss	>15 dB at 5 MHz - 1.485 GHz >10 dB at 1.5 GHz to 3 GHz
Jitter (wideband)	HD: < 0.3 UI

Optical Input/Output

Data Rates	Up to 4.25Gbps
Connectors	ST, SC
Input Range	1250 - 1650nm
Input Power	-7 to -15 dBm
Interface	Digital optical
Output Power	-3 dBm typical
Output Range	Muxed CWDM freq.

Mechanical, Environmental (FS-6000)

Overall Dimensions (L x W x H)	6.75" x 5.5" x 1.75"
Weight	1 lbs.

Mechanical, Environmental (FS-12000 & 18000)

Overall Dimensions (L x W x H)	19" x 5.5" x 1.75"
Weight	3 lbs.
Power	9-24 VDC, <20 watts
Temperature	0 to +55C
Humidity	0 to 95% non-condensing

ORDERING INFORMATION

FS-6000	
FS-6000-TX-ST	6 Ch. FiberSaver Transmitter for up to 6 optical digital signals up to 4.25GB/sec or SDI up to 3gb/sec
FS-6000-RX-ST	6 Ch. FiberSaver Receiver for up to 6 optical digital signals up to 4.25GB/sec or SDI up to 3gb/sec
FS-6000-DEMUX-ST	6 Ch. FiberSaver Optical Demultiplexer: 1 multiplexed optical input from FS-6000-TX-ST, 6 optical outputs
FS-12000	
FS-12000-TX-ST	12 Ch. Fiber Saver Transmitter for up to 12 optical digital signals up to 4.25GB/sec or SDI up to 3gb/sec
FS-12000-RX-ST	12 Ch. Fiber Saver Receiver for up to 12 optical digital signals up to 4.25GB/sec or SDI up to 3gb/sec
FS-12000-DEMUX-ST	12 Ch. FiberSaver Optical Demultiplexer: 1 multiplexed optical input from FS-6000-TX-ST, 6 optical outputs
FS-18000	
FS-18000-TX-ST	18 Ch. Fiber Saver Transmitter for up to 18 optical digital signals up to 4.25GB/sec or SDI up to 3gb/sec
FS-18000-RX-ST	18 Ch. Fiber Saver Receiver for up to 18 optical digital signals up to 4.25GB/sec or SDI up to 3gb/sec
FS-18000-DEMUX-ST	18 Ch. FiberSaver Optical Demultiplexer: 1 multiplexed optical input from FS-6000-TX-ST, 18 optical outputs
FS-3x3	
FS-3x3-TRXA-ST	3 x 3 Ch. FiberSaver Transceiver/Remapper, 1 fiber HUT-MUX: Optimized for the SMPTE HUT, 3 inputs & 3 outputs (BNC or optical) over 1 fiber.
FS-3x3-TRXB-ST	3 x 3 Ch. FiberSaver Transceiver/Remapper, 1 fiber HUT-MUX: Optimized for the SMPTE HUT, 3 inputs & 3 outputs (BNC or optical) over 1 fiber.
FS-6x6	
FS-6x6-TRXA-ST	6 x 6 Ch. FiberSaver Transceiver/Remapper, 1 fiber HUT-MUX: Optimized for the SMPTE HUT, 6 inputs & 6 outputs (BNC or optical) over 1 fiber.
FS-6x6-TRXB-ST	6 x 6 Ch. FiberSaver Transceiver/Remapper, 1 fiber HUT-MUX: Optimized for the SMPTE HUT, 6 inputs & 6 outputs (BNC or optical) over 1 fiber.
FS-9x9	
FS-9x9-TRXA-ST	9 x 9 Ch. FiberSaver Transceiver/Remapper, 1 fiber HUT-MUX: Optimized for the SMPTE HUT, 9 inputs & 9 outputs (BNC or optical) over 1 fiber.
FS-9x9-TRXB-ST	9 x 9 Ch. FiberSaver Transceiver/Remapper, 1 fiber HUT-MUX: Optimized for the SMPTE HUT, 9 inputs & 9 outputs (BNC or optical) over 1 fiber.
Accessories	
RMT	Rack mount kit, 1 RU for up to three FS-6000
BP-T	Blank panel for RMT kit
MDS050-P120	Spare Power Supply for FiberSaver products

Ask your MultiDyne representative about other combinations of TX & RX