

## FEATURES

- ▷ Monitoring of up to 64 Channels of MADI Audio
- ▷ Reclocked MADI Output
- ▷ High Power Class D Stereo Audio Amplifier
- ▷ Level Display, with Full 64 Channel Monitoring Display
- ▷ Redundant Power Supply Option
- ▷ Headphone & Analog Audio Outputs
- ▷ Easy Audio Source and Mode Selection
- ▷ Ethernet Connection to Dashboard Control System For Monitoring, Control and Software Upgrades
- ▷ 3-year Transferable Warranty

## APPLICATIONS

- ▷ Broadcast
- ▷ Mobile Production Trucks
- ▷ Master Control/CER
- ▷ Confidence Monitoring



The C64A-1 is a compact and lightweight 1 RU 64 Channel MADI audio monitoring system that provides visual and aural monitoring.

A large vacuum fluorescent display on the front panel displays the audio levels of all 64 channels of audio on 64 bar graph VU meters providing a unique at a glance audio presence meter.

A military spec rotary shaft encoder is used to provide volume control with a unique push to mute speaker function. A second shaft encoder is used to select the audio channel you wish to monitor with the push function allowing the operator to toggle between a single channel or stereo mode and monitor any 2 adjacent channels. Also located on the front panel is a 1/4" jack for use when headphones are required. The units internal speakers are muted once a headset has been plugged in.

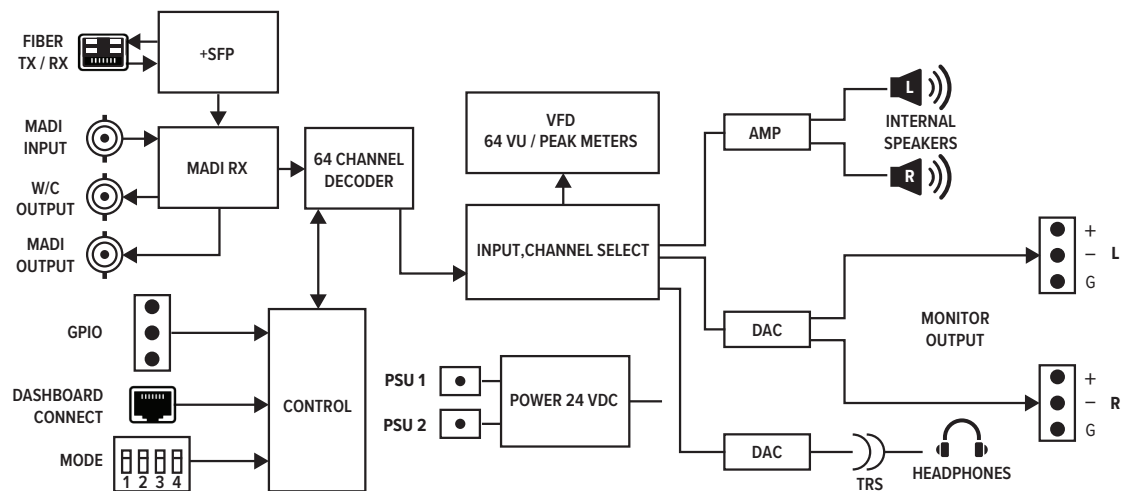
A 64 Channel MADI signal can be connected to the 75 Ohm BNC connector while a reclocked output

is provided. Additionally the C64A-1 generates a Wordclock output on a BNC connector. Also on the rear panel are two 3-pin terminal block connectors that provide a stereo analog audio output that can be used to drive a set of studio grade powered speakers. The GPI connector can be jumpered to allow the front panel volume control to control the monitor output level. An RJ45 connector provides an ethernet connection to connect the C64A-1 to the openGear dashboard software to allow access to software updates, and remote monitoring.

The +SFP option provides an additional MADI input via a singlemode fiber optic cable with LC connectors. A regenerated fiber optic output is provided as well as a converted 75 Ohm BNC output easing integration with downstream equipment.

The C64A-1 is powered by an external power supply included with the unit. A secondary power supply connector is provided for those applications where an optional redundant power supply may be desired.

## BLOCK DIAGRAM



## TECHNICAL SPECIFICATIONS

MADI	75 Ohm BNC, 600mV nominal
Analog Audio	3 pin terminal blocks, Left/Right -20dBFS=+4dBu, Balanced 60 Ohm
Dimensions (W"xH"xD")	19"W x 1.75"H x 8.5"D
Weight	4 lbs. (Approximate)
Power	External 90-240VAC, 90W (24VDC)

## ORDERING INFORMATION

Part #	DESCRIPTION
C64A-1	3G/HD/SD-SDI 16 Channel Embedded Audio Monitoring System 1 RU. Includes Power Supply.
C16-PSU	Redundant Power Supply