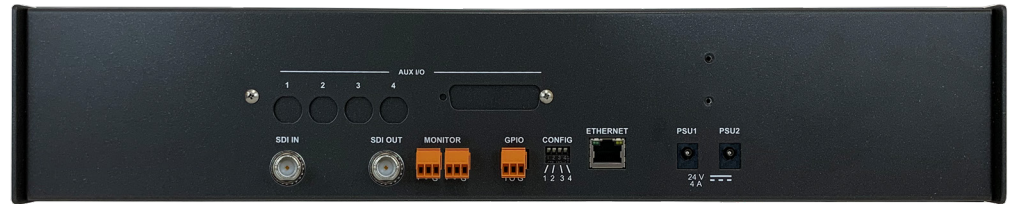


### FEATURES

- ▷ 3G / HD / SD SDI Input With Integrated 16 Channel De-embedder
- ▷ Monitoring of up to 16 Channels of Embedded Audio
- ▷ Reclocked SDI Output
- ▷ High Power Class D Stereo Audio Amplifier
- ▷ Onboard 5.1 Surround Sound Lt/Rt Downmixer
- ▷ True Peak VU or LKFS Loudness Level Display, With Full 16 Channel Monitoring Display
- ▷ Redundant Power Supply Option
- ▷ Headphone & Analog Audio Outputs
- ▷ Easy Audio Source and Mode Selection
- ▷ Ethernet Connection to Dashboard Control System For Monitoring, Control and Software Upgrades
- ▷ 3-year Transferable Warranty

### APPLICATIONS

- ▷ Broadcast
- ▷ Mobile Production Trucks
- ▷ Master Control/CER
- ▷ Confidence Monitoring



The C16A-2 monitoring bridge is a compact, 2RU audio monitoring bridge for embedded audio. Designed to meet the demands of broadcast audio monitoring requirements, the C16A-2 is capable of de-embedding up to 16 channels of audio from an incoming SDI signal. The C16A-2 provides both visual and aural monitoring with built-in front panel display and speakers.

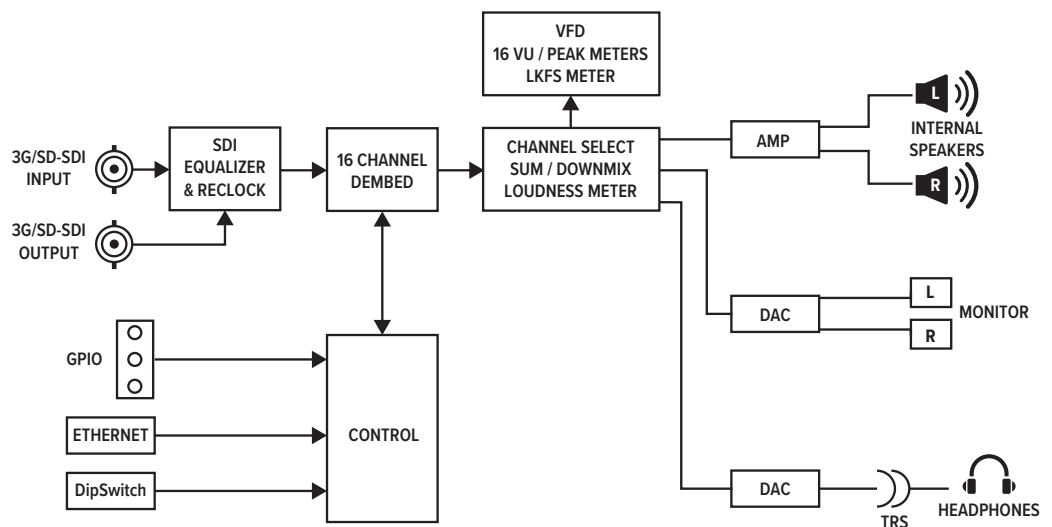
16 digital VU/PPM meters monitor all 16 channels of embedded audio, while an intuitive control surface allows for easy channel source and mode selection for the built-in speakers. A meter and numerical display provides loudness measurements according to ITU1770/1771 LKFS. Additional information such as true peak, input signal type and Audio Group Presence are

also displayed on screen.

High quality, full-range speakers, along with a high performance class D stereo amplifier, offer excellent sound quality suitable for any monitoring environment. The front panel also includes a volume control and a 1/4 inch headphone jack.

The rear of the C16A-2 provides a single SDI in-put with reclocked SDI output and 2 channels of analog audio outputs. The C16A-2 is powered by an external power supply that is included with the unit. There is also a second power input connector for those applications where optional redundant power supply may be desired.

### BLOCK DIAGRAM



### TECHNICAL SPECIFICATIONS

SDI	75 Ohm BNC,800mV nominal SMPTE 259M,292M,424M
Analog Audio	3 pin terminal blocks, Left/Right -20dBFS=+4dBu, Balanced 60 Ohm
Dimensions (W"xH"xD")	19"W x 3.5"H x 8.5"D
Weight	5 lbs. (Approximate)
Power	External 90-240VAC, 90W (24VDC)

### ORDERING INFORMATION

Part #	DESCRIPTION
C16A-2	3G/HD/SD-SDI 16 Channel Embedded Audio Monitoring System 2 RU. Includes Power Supply.