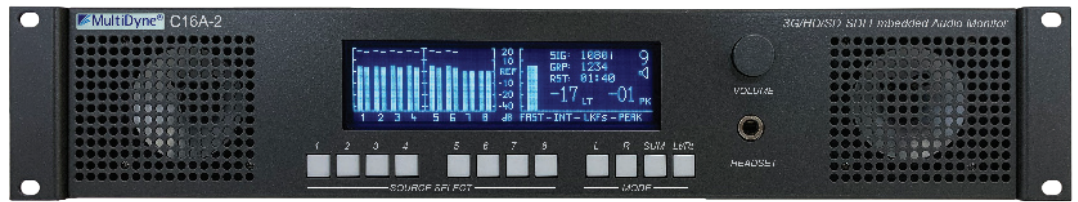


FEATURES

- ▷ 3G / HD / SD SDI Input With Integrated 16 Channel De-embedder
- ▷ Monitoring of up to 16 Channels of Embedded Audio
- ▷ Reclocked SDI Output
- ▷ High Power Class D Stereo Audio Amplifier
- ▷ Onboard 5.1 Surround Sound Lt/Rt Downmixer
- ▷ ITU1770-3 Loudness Level Display, With Full 16 Channel Monitoring Display
- ▷ Redundant Power Supply Option
- ▷ Headphone & Analog Audio Outputs
- ▷ Easy Audio Source and Mode Selection
- ▷ Ethernet Connection to Dashboard Control System For Monitoring, Control and Software Upgrades
- ▷ 3-year Transferable Warranty

APPLICATIONS

- ▷ Broadcast
- ▷ Mobile Production Trucks
- ▷ Master Control/CER
- ▷ Confidence Monitoring



The C16A-2 is a compact and lightweight 2 RU 16 Channel SDI embedded audio monitoring system that provides visual and aural monitoring of all 16 channels of audio from a 3G/HD/SD-SDI signal.

A large vacuum fluorescent display on the front panel displays the audio levels on 16 bar graph VU/PPM meters and simultaneously provides ITU1770-3 loudness measurements. Additionally SDI signal status, group audio presence and a reset timer for the LKFS meter are also visible on the display.

With simplicity in mind the C16A-2 has been designed with an intuitive user interface to allow for easy access to the signals you need to monitor. Twelve illuminated pushbuttons located directly below the meters provide intuitive audio channel source selection and L/R Solo, SUM, and Lt/Rt Downmix modes directly from the front panel.

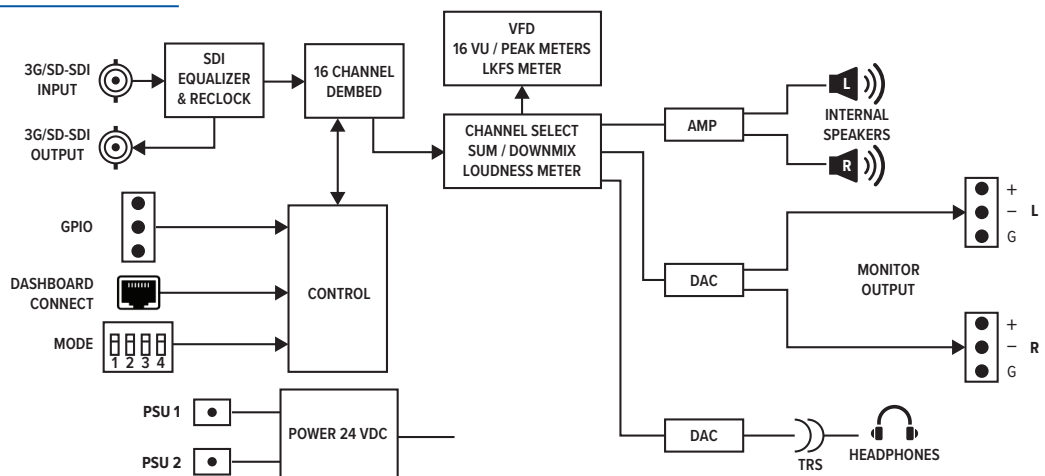
A military spec rotary shaft encoder is used to provide

volume control with a unique push to mute speaker function. Also located on the front panel is a 1/4" jack for use when headphones are required. The C16A-2 internal speakers are muted once a headset has been plugged in.

The rear panel allows for a single 3G/HD/SD-SDI input and provides a reclocked SDI output. Two 3-pin terminal block connectors provide a stereo analog audio output that can be used to drive a set of studio grade powered speakers. The GPI connector can be jumpered to allow the front panel volume control to control the monitor output level. An RJ45 connector provides an ethernet connection to connect the C16A-2 to the openGear dashboard software to allow access to loudness measurement settings, software updates, and remote monitoring.

The C16A-2 is powered by an external power supply included with the unit. A secondary power supply connector is provided for those applications where an optional redundant power supply may be desired.

BLOCK DIAGRAM



TECHNICAL SPECIFICATIONS

SDI	75 Ohm BNC, 800mV nominal SMPTE 259M, 292M, 424M
Analog Audio Output	3 pin terminal blocks, Left/Right -20dBFS=+4dBu, Balanced 60 Ohm
Dimensions (W"xH"xD")	19"W x 3.5"H x 8.5"D
Weight	5 lbs. (Approximate)
Power	External 90-240VAC, 90W (24VDC)

ORDERING INFORMATION

Part #	DESCRIPTION
C16A-2	3G/HD/SD-SDI 16 Channel Embedded Audio Monitoring System 2 RU. Includes Power Supply.
C16-PSU	Redundant Power Supply