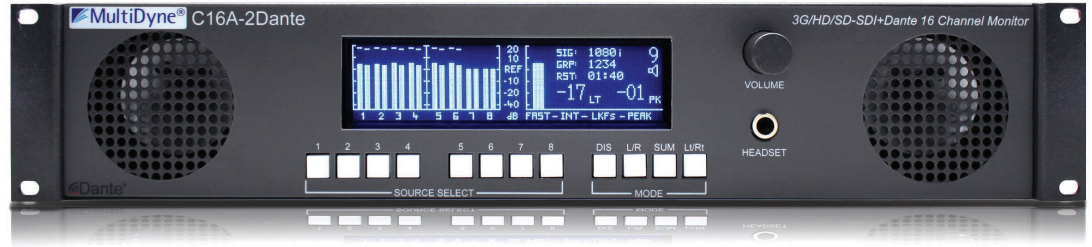


## FEATURES

- ▷ 3G / HD / SD SDI Input With Integrated 16 Channel De-embedder
- ▷ Monitoring of up to 16 Channels of DANTE IP Audio Input
- ▷ Reclocked SDI Output
- ▷ High Power Class D Stereo Audio Amplifier
- ▷ Onboard 5.1 Surround Sound Lt/Rt Downmixer
- ▷ ITV1770-3 Loudness Level Display, With Full 16 Channel Monitoring Display
- ▷ Redundant Power Supply Option
- ▷ Headphone & Analog Audio Outputs
- ▷ Easy Audio Source and Mode Selection
- ▷ Ethernet Connection to Dashboard Control System For Monitoring, Control and Software Upgrades
- ▷ 3-year Transferable Warranty

## APPLICATIONS

- ▷ Broadcast
- ▷ Mobile Production Trucks
- ▷ Master Control/CER
- ▷ Confidence Monitoring



The C16A-2DANTE is a compact and lightweight 2 RU 16 Channel SDI embedded audio monitoring system that provides visual and aural monitoring of all 16 channels of audio from a 3G/HD/SD-SDI signal. Additionally the C16A-2DANTE connects directly to your Dante IP audio network.

By using the Dante controller in a “set & forget” mode you can route any 16 channels of audio on your Dante IP audio network to the 16 audio meters on the front panel display.

A large vacuum flourescent display on the front panel displays the audio levels on 16 bar graph VU/PPM meters and simultaneously provides ITU1770-3 loudness measurements. Additionally SDI signal status, group audio presence and a reset timer for the LKFS meter are also visable on the display.

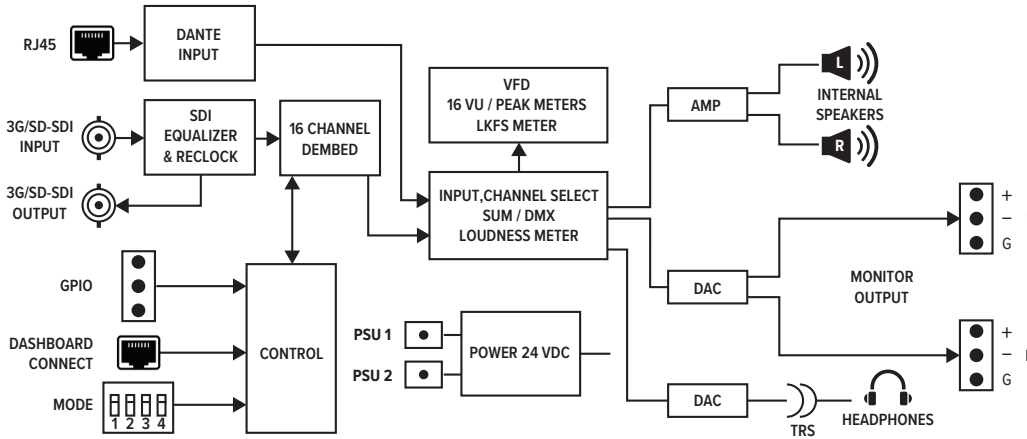
With simplicity in mind the C16A-2DANTE has been designed with an intuitive user interface to allow for easy access to the signals you need to monitor. Twelve illuminated pushbuttons located directly below the meters provide intuitive audio channel source selection and L/R Solo, DIS, SUM, and Lt/Rt Downmix modes directly from the front panel. The DIS pushbutton toggles the display between the SDI input source and the Dante IP audio network input.

A military spec rotary shaft encoder is used to provide volume control with a unique push to mute speaker function. Also located on the front panel is a 1/4” jack for use when headphones are required. The units internal speakers are muted once a headset has been plugged in.

The rear panel allows for a single 3G/HD/SD-SDI input and provides a relocked SDI output. An RJ45 connector provides the connection to the Dante audio network. Two 3-pin terminal block connectors provide a stereo analog audio output that can be used to drive a set of studio grade powered speakers. The GPI connector can be jumpered to allow the front panel volume control to control the monitor output level. A separate RJ45 connector provides an ethernet connection to connect the C16A-2DANTE to the openGear dashboard software to allow access to loudness measurement settings, software updates, and remote monitoring.

The C16A-2DANTE is powered by an external power supply included with the unit. A secondary power supply connector is provided for those applications where an optional redundant power supply may be desired.

## BLOCK DIAGRAM



## TECHNICAL SPECIFICATIONS

### Coaxial Serial Data Input/Output (1+1)

Connector	75-ohm BNC
Bit Rate	270 Mbps – 2.970 Gbps
Cable Auto Equalization	80m Belden 1694A @ 2.97 Gbps 120m Belden 1694A @ 1.485 Gbps 200m Belden 1694A @ 270 Mbps
Standards	SMPTE 424M, 292M, 259M-C DVB-ASI
Return Loss	< 15dB @ 5 MHz – 1.5 GHz < 10dB @ 1.5 GHz – 3.0 GHz
Level	800 mVp-p nominal
Alignment Jitter	< 0.3 UI

### Dante Network Interface(1)

Data Rates	10/100/1000Mbps
Connector	RJ45 Cat5e

### AES Output (4)

AES-3id-2001	
Connector	75-ohm BNC
Level	1 Vp-p nominal
Sample rate	32KHz-96KHz

### Analog Audio Monitor(2 balanced)

-20dBfs	≈+4dBu nominal
Max output	Unbalanced, 15Vp-p max
Freq response	Unbalanced, 3Vp-p max
Connector	3 pin terminal block

### Mechanical

Width/Height	2RU, 19" [480mm] x 3.50" [90mm]
Depth	8.5" [220mm]
Approx. Weight	8lbs

### Electrical

Voltage	24 VDC, (24V Power Supply Included, 90-240VAC)
Power	90W

### Environmental

Temperature	0 – 55° C
Humidity:	0 – 95% RH, non-condensing

## ORDERING INFORMATION

Part #	DESCRIPTION
C16A-2DANTE	3G/HD/SD-SDI 16 Channel Embedded Audio Monitoring System 2 RU. Includes Power Supply.
C16-PSU	Redundant Power Supply