

FEATURES

- ▷ Up to 18 SDI signals on 18 or ONE fiber
- ▷ Fiber transport from 19.4Mbps to 3Gbps
- ▷ Supports SMPTE 424M, 292M, 259M, 310M, 344M, 305M & DVB-ASI
- ▷ Equalizes 120m of Gepco VSD2001 or Belden 1694A cable at 3 Gb/sec
- ▷ Equalizes 150m of Gepco VSD2001 or Belden 1694A cable at 1.485 Gbps
- ▷ Supports embedded audio & data
- ▷ Plug and play
- ▷ Easy access to installed fiber infrastructures
- ▷ Small and portable
- ▷ Faster set and strike with fewer cables

APPLICATIONS

- ▷ Sports Broadcasting
- ▷ Shared control rooms
- ▷ Remote studios/STL's
- ▷ Tele-Medicine
- ▷ Distance learning
- ▷ Corporate A/V
- ▷ Taking advantage of stadium and campus fiber infrastructures

The HD Trunking Solution That You Have Waited For! Say Goodbye to Heavy Coax and Hello To The HD-6Pack

The HD-6Pack series has been designed for OB operators and anyone who needs to trunk multiple uncompressed SDI signals over fiber. Never before has a multi-channel SDI-over-fiber system been so easy to use and so portable. In just one RU, you can transport up to 18 SDI signals up to 3Gbps without compression on a few as one singlemode fiber. The HD-6Pack features LED's to indicate signal presence and optical link status.

Since the SDI signals are not compressed, the HD-6Pack can be used in conjunction with other Multidyne SDI transport components to create custom signal topographies including point-to-point and point-to-multipoint links.

The HD-6Pack features a 1:1 ratio between SDI signals and optical fibers. For facilities where fiber is abundant, this is, by far, the most economical solution available.

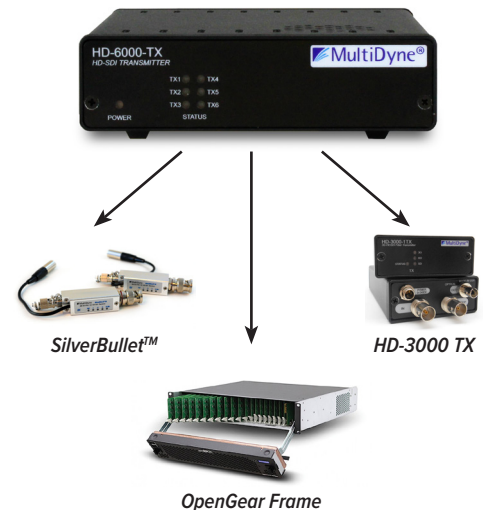
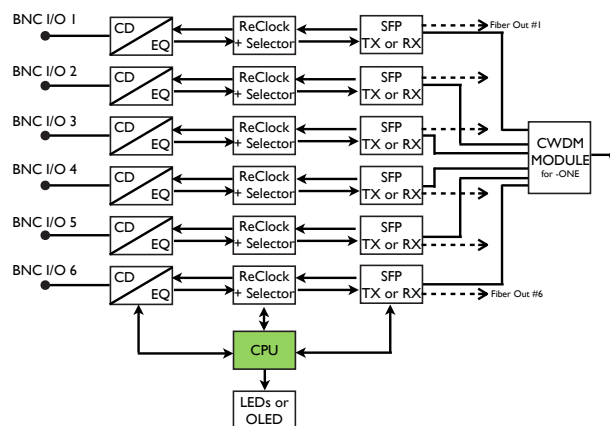
If fibers are at a premium, the HD-6Pack-ONE's use an integrated CWDM passive optical multiplexer to get those six signals onto just one fiber. By Integrating the CWDM we eliminate the need for external patching. The HD-6Pack's can also be factory-configured for 6 to 18 signals in one direction, or any combination toe TX and RX to adapt to any signal requirement.



The HD-6Pack as well as and the HD-12Pack and HD-18Pack can be used as stand-alone devices or mounted in a 1RU unit. So whether you are optimizing your fibers within a permanent campus or studio infrastructure, linking an "A" and "B" OB unit together or getting the most out of available fibers at the stadium, we have you covered.

The HD-6Pack and HD-6Pack-ONE. Providing the easiest, the most portable and the most cost efficient way to move more full bandwidth HD-SDI video over distances up to 10km on fewer fibers.

FEATURES & APPLICATIONS



TECHNICAL SPECIFICATIONS

SDI Input/Output

Bit Rates	19.4Mbps to 3Gbps
Connectors	BNC
Impedence	75 Ohms
Signal Level	800 mV nominal pp
Standard	SMPTE 425M, 344M, 310M, 297M, 292M, 259M-C, DVB-ASI
Return Loss	>15 dB at 5 MHz - 1.485 GHz >10 dB at 1.5 GHz to 3 GHz
Jitter (wideband)	HD: < 0.3 UI

Optical Input/Output

Data Rates	Up to 3Gbps/Ch
Connectors	ST, SC, LC, FC
RX Input	-5 to -20 dBm
TX Output	-3 dBm typical
Output	Muxed CWDM frequency 1250 - 1650nm
Typical Range	> than 10km

Mechanical, Environmental

Overall Dimensions (LxWxH)	6.75" x 5.5" x 1.75" (HD-6000)
Weight	1 lbs.
Overall Dimensions (LxWxH) & HD-18000)	19" x 5.5" x 1.75" (HD-12000 & HD-18000)
Weight	3 lbs.
Power	9-24 VDC, <20 watts
Temperature	0 to +55C
Humidity	0 to 95% non-condensing

ORDERING INFORMATION

Model	HD-6Pack - Available with ST, SC or LC Connectors (4x2 and 5x1, also available)
HD-6000-TX-ST	6 Ch. 3.0 Gbps SDI Video TX @ 1310nm, 6 fibers, for: SD/HD/3G-SDI, DVB ASI, SMPTE 310M
HD-6000-RX-ST	6 Ch. 3.0 Gbps SDI Video RX, 6 fibers, for: SD/HD/3G-SDI, DVB ASI, SMPTE 310M
HD-6000-ONE-TX-ST	6 Ch. 3.0 Gbps SDI Video TX, ONE fiber, for: SD/HD/3G-SDI, DVB ASI, SMPTE 310M
HD-6000-ONE-RX-ST	6 Ch. 3.0 Gbps SDI Video RX, ONE fiber, for: SD/HD/3G-SDI, DVB ASI, SMPTE 310M
HD-3x3-TRX-ST	3x3 Ch. 3.0 Gbps SDI Video transceiver, 6 fibers, for: SD/HD/3G-SDI, DVB ASI, SMPTE 310M
HD-3x3-ONE-TRXA-ST	3x3 Ch. 3.0 Gbps SDI Video transceiver, ONE fiber, for: SD/HD/3G-SDI, DVB ASI, SMPTE 310M
HD-3x3-ONE-TRXB-ST	3x3 Ch. 3.0 Gbps SDI Video transceiver, ONE fiber, for: SD/HD/3G-SDI, DVB ASI, SMPTE 310M
Accessories	
RMT	Rack mount kit, 1 RU for up to three, triple sized modules
BP-T	Blank plate, triple
MDS050-P120	Spare Power Supply for HD-6000, 1200, 18000 series products unit

Model	HD-12Pack - Available with ST, SC or LC Connectors (6x6, 7x5, 8x4, 9x3, 10x2, 11x1, also available)
HD-12000-TX-ST	12 Ch. 3.0 Gbps SDI Video TX @ 1310nm, 12 fibers, for: SD/HD/3G-SDI, DVB ASI, SMPTE 310M
HD-12000-RX-ST	12 Ch. 3.0 Gbps SDI Video RX, 6 fibers, for: SD/HD/3G-SDI, DVB ASI, SMPTE 310M
HD-12000-ONE-TX-ST	12 Ch. 3.0 Gbps SDI Video TX, ONE fiber, for: SD/HD/3G-SDI, DVB ASI, SMPTE 310M
HD-12000-ONE-RX-ST	12 Ch. 3.0 Gbps SDI Video RX, ONE fiber, for: SD/HD/3G-SDI, DVB ASI, SMPTE 310M
Accessories	
MDS050-P120	Spare Power Supply for HD-6000, 1200, 18000 series products unit

Model	HD-18Pack - 1RU - Available with ST, SC or LC Connectors (9x9, 10x8, 11x7, 12x6, 13x5, 14x4, 15x3, 16x2, 17x1, also available)
HD-18000-TX-ST	18 Ch. 3.0 Gbps SDI Video TX @ 1310nm, 18 fibers, for: SD/HD/3G-SDI, DVB ASI, SMPTE 310M
HD-18000-RX-ST	18 Ch. 3.0 Gbps SDI Video RX, 6 fibers, for: SD/HD/3G-SDI, DVB ASI, SMPTE 310M
HD-18000-ONE-TX-ST	18 Ch. 3.0 Gbps SDI Video TX, ONE fiber, for: SD/HD/3G-SDI, DVB ASI, SMPTE 310M
HD-18000-ONE-RX-ST	18 Ch. 3.0 Gbps SDI Video RX, ONE fiber, for: SD/HD/3G-SDI, DVB ASI, SMPTE 310M
Accessories	
MDS050-P120	Spare Power Supply for HD-6000, 1200, 18000 series products unit