

## FEATURES

- ▷ Rugged Field Fiber Transport
- ▷ Optional Monitor & Test Generator
- ▷ Run on: AC, Battery or via Hybrid Fiber Cable
- ▷ Diverse signal transport options.
- ▷ Fiber connectors: SMPTE, opticalCon, ST
- ▷ Option Card Cage receiver: openGear, SNMP, Dashboard
- ▷ Scalable to any size and signal count

## APPLICATIONS

- ▷ Sports Broadcast
- ▷ ENG, EFP
- ▷ Military
- ▷ Live Stage Events

## The BullDog becomes your broadcast infrastructure when none is Available



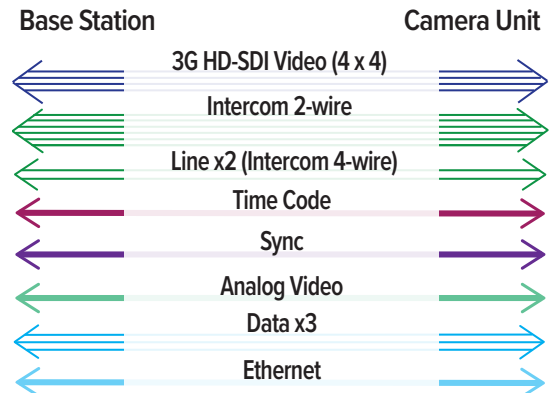
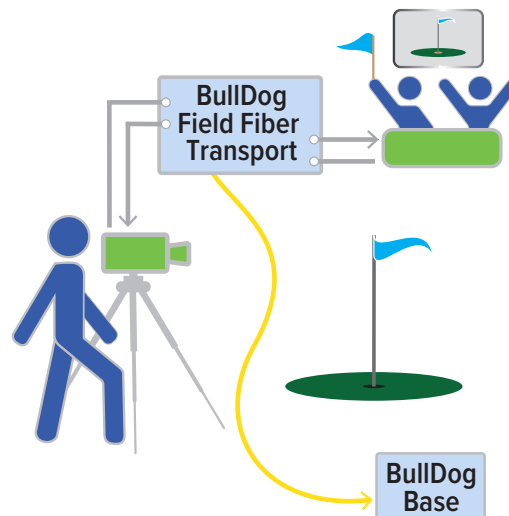
The BullDog is the perfect solution for live temporary events. It's very rugged, portable and runs on battery or power can be sent via SMPTE hybrid cable, perfect for events such as golf or outdoor concerts where no infrastructure is available. The BullDog becomes your broadcast infrastructure, power and all.

The receiver side can be another BullDog or the rack mount version. In addition, the receiver can be the 2RU, openGear card cage, complete with SNMP management and Ross's Dashboards monitoring software.

The standard signal count can be expanded exponentially. Just ask your sales rep about expansion option. The BullDogs "building block" architecture is ready made for flexible scalability. We just add more blocks as per your requirement.



## APPLICATIONS



## TECHNICAL SPECIFICATIONS

### Serial Data

Number of Channels	3
Type	RS232, RS422
Data Rate	DC – 1Mbps

### Ethernet

Number of Channels	1
Data Rate	10/100/1000 Base-T

### Timecode

Number of Inputs	1
Number of Outputs	1
Inputs	Unbalanced, 15Vp-p max
Outputs	Unbalanced, 3Vp-p

### Tally/GPIO

Number of GPI Inputs	3
Number of Tally Inputs	1
Number of GPI Outputs	3
Number of Tally Outputs	1
Inputs	Short to GND or TTL Low to Activate

### Outputs

Optical	1471-1611nm
Operating Wavelengths	0dBm (Class 1 Laser)
Tx Laser Output Power	-20dBm
Receiver Sensitivity	Single-mode
Fiber Compatibility	SC
Optical Connector Types	40km w/Single-mode
Distance limit	Up to 24 bits
Distance limit	40km w/Single-mode

### Video, CVBS

Number of Inputs	1
Number of Outputs	1
Type	Analog NTSC, PAL
Impedance	75 Ohms
Video, Genlock	
Number of Inputs	1 (REF1 On OpenGear Frame)
Number of Outputs	1
Type	Analog Black Burst (NTSC, PAL), HD Tri-Level
Impedance	75 Ohms

### Digital Video

Number HD	8 Configurable
Interface	SMPTE ST259, ST292, ST424, DVB-ASI
Data Rate	270Mbps, 1.5Gbps, 3Gbps
Input/output Level	800mVp-p
Input/output Impedance	75 Ohms
Return Loss	>15 dB 5 MHz - 1.485 GHz >10 dB up to 3 GHz
Jitter	< 0.2UI
Rise/fall times	< 800ps (SD), < 130ps (HD)
Bit-error rate	10e-12

### Audio

Number of Input Channels (mono)	8
Number of Output Channels (mono)	8
Type	Balanced. Analog Line-Level or AES3, selectable in groups of 2

### Analog Audio

Level	+4dBu nominal, +24dBu max.
Input Impedance	> 10k Ohms
Output Impedance	22 ohms
S/N	>90db
Frequency Response	+/-0.1db 20Hz – 20kHz
Distortion	< 0.05%

### Digital Audio

Sample Rate	Up to 96kHz
Bit Depth	Up to 24 bits

### Mechanical, Environmental

Overall Dimensions (HxLxW)OpenGear Form Factor	3.025H" x 12.75L" x 3 slots
Environmental	0 to 50°C, 0 to 95% RH, non-condensing.
Power Consumption	12.5 Watts