

**FEATURES**

- ▷ 4K Quad link
- ▷ Audio & Comms
- ▷ Serial Data
- ▷ SYNC, Tally, GPI
- ▷ Remote camera and system power

**APPLICATIONS**

- ▷ 4K POV with robotic control
- ▷ Camera signal extender
- ▷ Studio link

An economic solution designed for 4K fiber transmission



Transmit

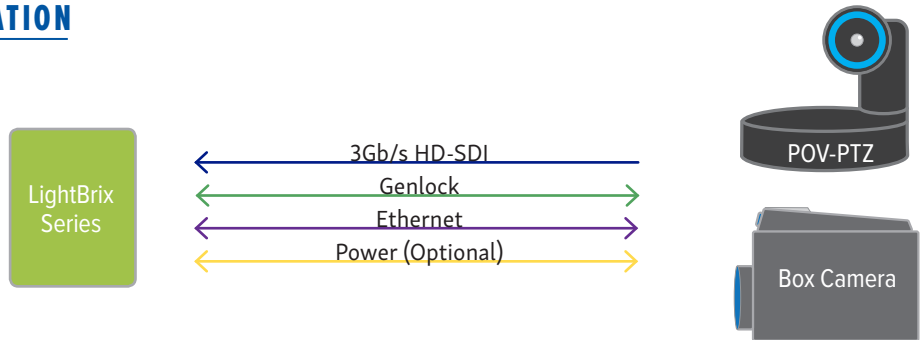


Receive

The VB-3804 is part of the versatile LightBrix line of compact, rugged fiber transport products. Ideal for a box camera mounted to a robotic PTZ head, the VB-3804 will transport a full complement of camera signals, including 4K quad link, as well as an option to supply power to the transmitter and camera, via a

SMPTE hybrid cable. By utilizing the SMPTE cables fiber strands for signal transport and its copper wires for power, the transmitter unit, camera and PTZ head all receive power from the base unit. This allows for flexible setup, strike and mobility by having the entire camera position free of power outlets.

**APPLICATION**



**TECHNICAL SPECIFICATIONS**

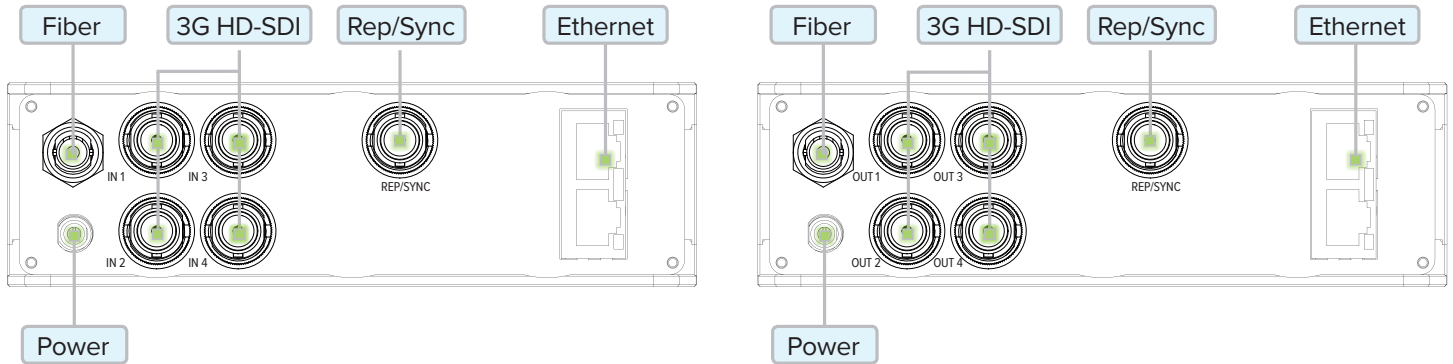
Digital Video

Transmitter	2 or 4 inputs
Receiver	2 or 4 outputs
Interface	SMPTE ST259, ST292, ST424, DVB-ASI
Data Rate	270Mbps, 1.5Gbps, 3Gbps
Input/Output Level	800mVp-p
Input/Output Impedance	75 Ohms
Return Loss	>15 dB 5 MHz - 1.485 GHz >10 dB up to 3 GHz
Jitter	< 0.2UI
Rise/fall times	< 800ps (SD), < 130ps (HD)
Bit-error rate	10e-12

1-877-685-8439  
1-516-671-7278  
sales@multidyne.com



Rear Panels



**ORDERING INFORMATION**

Part Number	Description
VB-3804-4XO-SDXEA-ST	4 Ch. One-way 3G SDI Video Transmitter, with Gigabit Ethernet, 2 Ch. RS-232/422/485 & Return Genlock/Sync, 1 Single-mode fiber operation, ST connector
VB-3804-0X4-SDXEB-ST	4 Ch. One-way 3G SDI Video Receiver, with Gigabit Ethernet, 2 Ch. RS-232/422/485 & Return Genlock/Sync, 1 Single mode fiber operation, ST connector
VB-3804-2XO-SDXEA-ST	2 Ch. One-way 3G SDI Video Transmitter, with Gigabit Ethernet, 2 Ch. RS232/422/485 & Return Genlock/Sync, 1 Single mode fiber operation, ST connector
VB-3804-0X2-SDXEB-ST	2 Ch. One-way 3G SDI Video Receiver, with Gigabit Ethernet, 2 Ch. Rs-232/422/485 & Return Genlock/Sync, 1 Single mode fiber operation, ST connector

1-877-685-8439  
1-516-671-7278  
sales@multidyne.com

