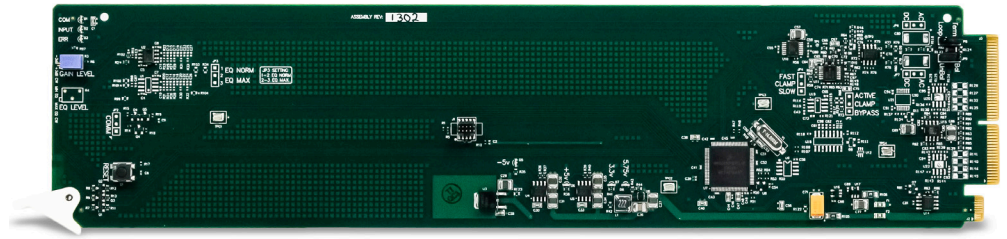


FEATURES

- ▷ Multi-mode input provides differential or single-ended input and hi-Z looping or card-terminated operation
- ▷ Remote control monitoring via DashBoard™ software

Provides 1x8 distribution with one analog input and eight 75Ω analog outputs.



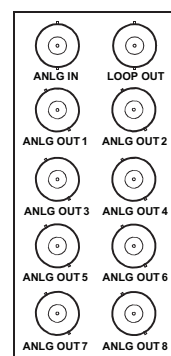
The OG-5310-ADA Analog Video Distribution Amplifier provides 1x8 distribution with one analog input and eight 75Ω analog outputs. Card jumpers allow setting the input as differential (floating ground) or single ended, and Hi-Z looping

input or on-card 75Ω terminated. A trim control located on the front of the card allows gain control. The card can be accessed using DashBoard™ remote control for status monitoring.

SPECIFICATIONS

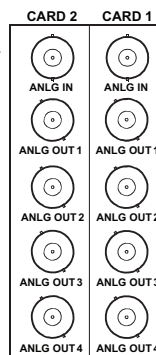
Electrical
Power: 2 Watts
Analog Video Input
Number of inputs: (1)
Impedance: User selectable as hi-Z looping or card terminated 75Ω
Level: 1 Vp-p, nominal
Return Loss: 46 dB @ 3.58 MHz
Input modes: User selectable as differential/single-ended
Analog Video Outputs
Number of DA outputs: up to (8) Impedance: 75Ω
Level: 1 Vp-p, nominal Looping Output: (1)
Performance
Frequency response: >0.05 dB @ 3.58 MHz Differential
Gain: >0.15% @ 3.58 MHz Differential Phase: >0.15° @ 3.58 MHz
S/N: >60 dB; 5 MHz BW

REAR MODULE MODELS



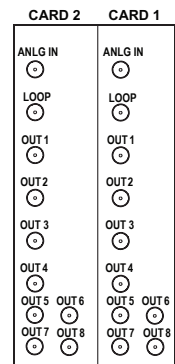
R2-5310-A

Note: RM20-9910AV-A/S allows only typical single-ended input operation (shield conductor of input BNC tied to GND). Also, this rear module can only be used when input termination (non-looping) is selected using the card jumper.



R2-5310-B

Note: RM20-9910AV-B/S allows only typical single-ended input operation (shield conductor of input BNC tied to GND).



R2-5310-C
R2-5310-D

1-877-685-8439
1-516-671-7278
sales@multidyne.com



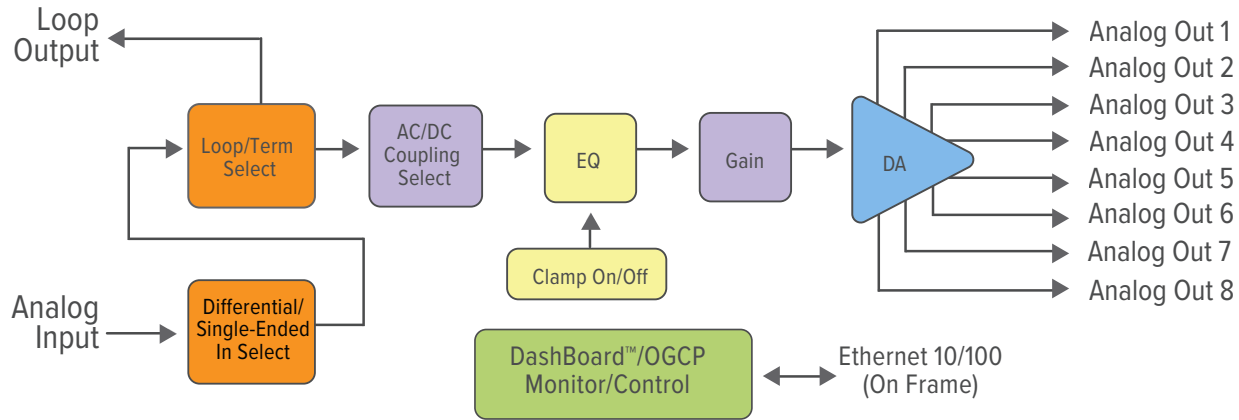
10 Newton Place,
Hauppauge, NY 11788

© 01/2017 MultiDyne

Specifications subject to change without notice

Made in USA

BLOCK DIAGRAM



ORDERING INFORMATION

OG-5310-ADA: Analog Video Distribution Amplifier
R2-5310-A: 20-Slot Frame Rear I/O Module (Standard Width) (1) Analog Video Input BNC, (8) Analog DA Output BNCs, (1) Input Loop Output BNC
R2-5310-B: 20-Slot Frame Rear I/O Module (Split; supports 2 cards) (1) Analog Video Input BNC, (4) Analog DA Output BNCs (connections are per card)
R2-5310-C: 20-Slot Frame Rear I/O Module (Split; supports 2 cards) (1) Analog Video Input, (8) Analog DA Outputs, (1) Input Loop Output (connections are per card; all connectors are DIN 1.0/2.3)
R2-5310-D: 20-Slot Frame Rear I/O Module (Split; supports 2 cards) (1) Analog Video Input, (8) Analog DA Outputs, (1) Input Loop Output (connections are per card; all connectors are HD-BNC)

1-877-685-8439
1-516-671-7278
sales@multidyne.com

