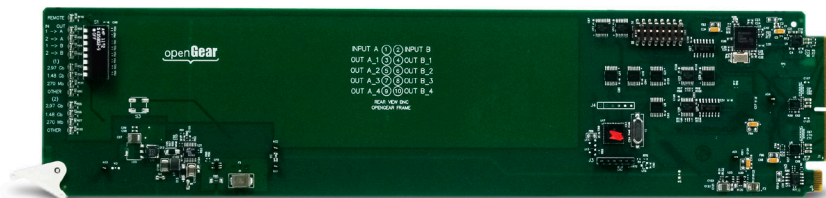


FEATURES

- ▷ 16-channel AES support and 8-channel analog audio support in one card. Individual per-pair embedding or de-embedding. Provides four-group SDI embed/de-embed and cross-conversions between analog and AES discrete audio.
- ▷ DashBoard™ status display, audio meters, tone generators. GUI audio meters provide ready assessment of content presence and line-up.
- ▷ Audio embed adaptive SRC allows asynchronous 48 kHz AES audio to automatically sync with video 48 kHz timing for glitch-free embedding. Individual, per-pair SRC auto-detects and disables SRC when a Dolby pair is detected on an input pair.
- ▷ Low-power/high-density design – less than 18 Watts per card
- ▷ Option +DT User COM Data Insert/Extract Software Option allows serial data insert/extract over SDI (User DID/SDID access)
- ▷ Remote control/monitoring via Dashboard™ software

Provides full 16-channel embed/de-embed between AES, 8-channel analog audio



The OG-5210-EMB 3G/HD/SD-SDI 16-Channel AES/8-Channel Analog Audio Embedder/De-Embedder offers full-flexibility AES and analog audio embedding/de-embedding in a basic, economical, high-efficiency openGear® card.

The OG-5210-EMB provides full 16-channel embed/de-embed between AES, 8-channel analog audio, and all four groups of embedded audio. Audio embed adaptive SRC allows asynchronous 48 kHz AES audio to automatically sync with program video 48 kHz timing for glitch-free embedding. Individual, per-pair SRC auto-detects and disables SRC when

a Dolby pair is detected on an input pair. Analog embed/de-embed conforms with professional balanced audio at 0 dBFS to pro dBu levels using full 24-bit conversion.

Full audio crosspoint allows per-channel gain and routing controls, as well as built-in tone generators.

Preset save/load allows saving custom card settings while allowing one-button revert to factory settings. Full user DashBoard™ allows full status and control access locally or across a standard Ethernet network.

SPECIFICATIONS

Electrical
Power: 18 watts
3G/HD/SD-SDI Input
(1) 75Ω BNC input
(1) 75Ω BNC output
SDI Receive Cable Length (1694A): 120m/180m/360m (3G/HD/SD)
SDI Return Loss: >15 dB up to 1.485 GHz; >10 dB up to 2.970 GHz Note: SDI Return loss and receive cable length are affected by rear I/O module used. Specifications represent typical performance.
Alignment Jitter: 3G/HD/SD: < 0.3/0.2/0.2 UI
Timing Jitter: 3G/HD/SD: < 2.0/1.0/0.2 UI
SDI Formats Supported: SMPTE 259M, SMPTE 292M, SMPTE 424M
Audio Conversion Format
48 kHz sampling, 24-bit. Auto-SRC bypass for Dolby inputs. Analog audio I/O conforms to +24 dBu <=> 0 dBFS.

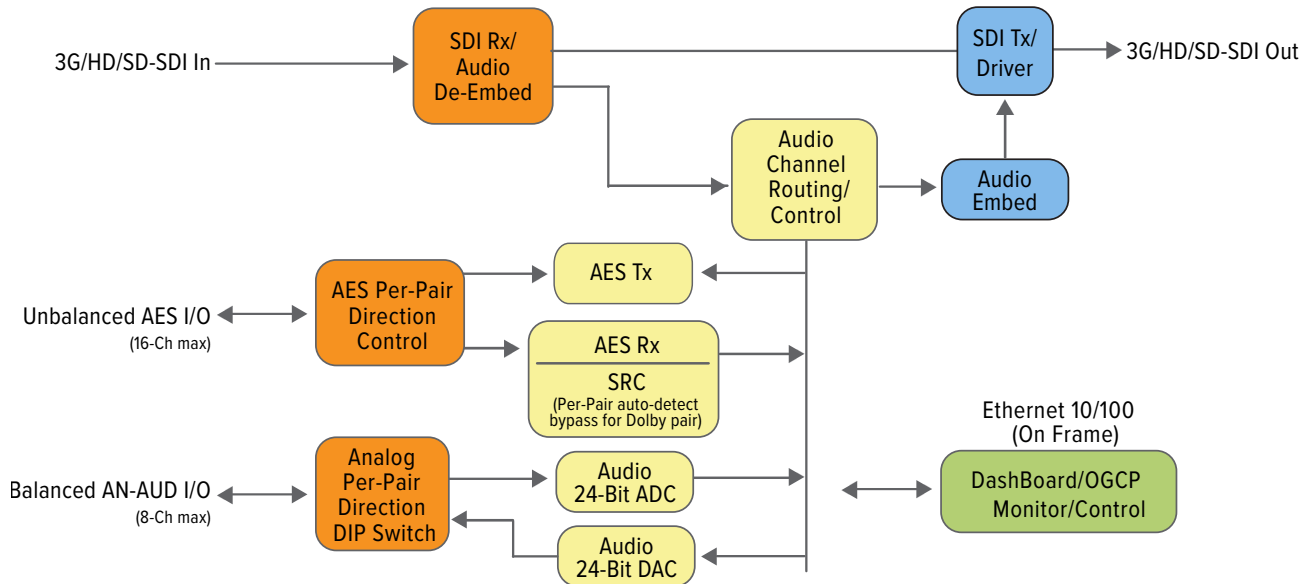
Analog Audio Specifications
Input Impedance: >10 kΩ
Reference Level: -20 dBFS
Nominal Level: +4 dBu
Input Clip Level: +24 dBu (0 dBFS)
Freq. Response: ±0.2 dB (20 Hz to 20 kHz)
SNR: 115 dB (A weighted)
THD+N: -96 dB (20 Hz to 10 kHz)
Crosstalk: -106 dB (20 Hz to 20 kHz)
Output Impedance: < 50 Ω
Max. Output Level: +24 dBu (0 dBFS)
Discrete Audio Input/Output
(8) Unbalanced AES (AES-3id; 75Ω) with per-pair port direction controls
(8) Balanced Analog Audio with per-channel port direction switches

ORDERING INFORMATION

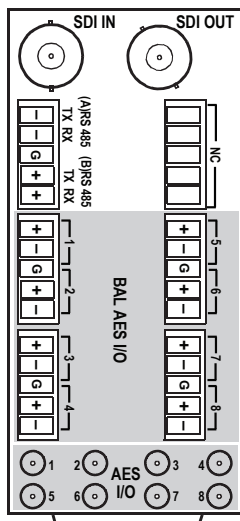
OG-5210-EMB: 3G/HD/SD-SDI 16-Channel AES / 8-Channel Analog Audio Embedder / De-Embedder
R2-5210-A: 20-Slot Frame Rear I/O Module (Standard Width) (1) 3G/HD/SD-SDI Input BNC, (1) 3G/HD/SD-SDI Output BNC, (2) COMM I/O, (8) Balanced Analog Audio I/O, 8 Unbalanced AES I/O (coaxial; DIN 1.0/2.3)
R2-5210-B: 20-Slot Frame Rear I/O Module (Standard Width) (1) 3G/HD/SD-SDI Input BNC, (1) 3G/HD/SD-SDI Output BNC, (2) COMM I/O, (8) Balanced Analog Audio I/O, 8 Unbalanced AES I/O (coaxial; HD-BNC)
+DT User COM Data Insert/Extract Software Option

Note: COMM port setup and usage available only with option +DT.

BLOCK DIAGRAM



REAR MODULE MODELS



R2-5210-A
R2-5210-B

1-877-685-8439
1-516-671-7278
sales@multidyne.com

