

**FEATURES**

- ▷ 4K Quad link
- ▷ Audio & Comms
- ▷ Serial Data
- ▷ SYNC, Tally, GPI
- ▷ Remote camera and system power

**APPLICATIONS**

- ▷ 4K POV with robotic control
- ▷ Camera signal extender
- ▷ Studio link

**An economic solution designed for 4K fiber transmission**



Transmit

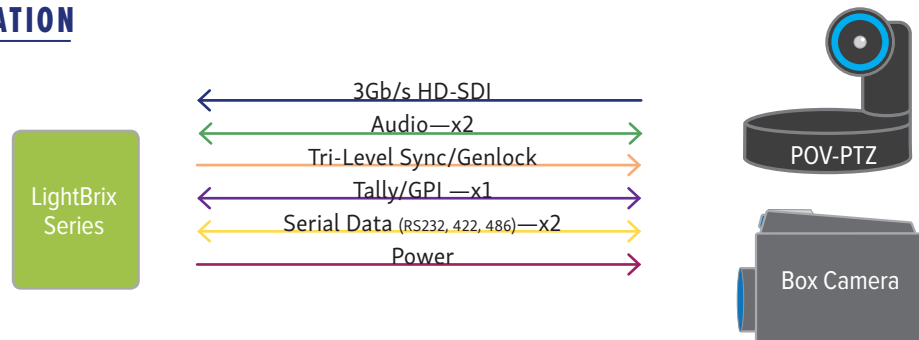


Receive

The VB6-3801 are part of the versatile LightBrix line of compact, rugged fiber transport products. Ideal for a box camera mounted to a robotic PTZ head, the VB6-3801 will transport a full complement of camera signals, including 4K quad link, as well as optional supply power to the transmitter and

camera, via SMPTE hybrid cable. By utilizing the cables fiber for signal transport and its copper wires for power, the transmitter unit, camera and PTZ head all receive power from the base unit. This allow for flexible setup, strike and mobility by have the entire camera position free of power outlets.

**APPLICATION**



**TECHNICAL SPECIFICATIONS**

**Digital Video**

Transmitter	1 or more input options available
Receiver	1 or more output options available
Interface	SMPTE ST259, ST292, ST424, DVB-ASI
Data Rate	270Mbps, 1.5Gbps, 3Gbps
Input/Output Level	800mVp-p
Input/Output Impedance	75 Ohms
Return Loss	>15 dB 5 MHz - 1.485 GHz >10 dB up to to 3 GHz
Jitter	< 0.2UI
Rise/fall times	< 800ps (SD), < 130ps (HD)
Bit-error rate	10e-12

**Genlock/Sync**

Number of Inputs	1
Number of Outputs	1
Type	Analog Black Burst (NTSC, PAL), HD Tri-Level
Impedance	75 Ohms

1-800-488-8378  
1-516-671-7278  
sales@multidyne.com



10 Newton Place,  
Hauppauge, NY 11788  
(516) 671-7278

## TECHNICAL SPECIFICATIONS (CONT)

### Audio

Number of Input Channels (mono)	2 input options available
Number of Output Channels (mono)	2 output options available
Type	Balanced. Analog Line-Level or AES3, selectable in groups of 2
Analog Audio:	
Level	+4dBu nominal, +24dBu max.
Input Impedance	> 10k Ohms
Output Impedance	22 ohms
S/N	>90db
Frequency Response	+/-0.1db 20Hz – 20kHz
Distortion	< 0.05%
Digital Audio:	
Sample Rate	Up to 96kHz
Bit Depth	Up to 24 bits

### Tally/GPIO

Number of GPI Inputs	1
Number of Tally Inputs	1
Number of GPI Outputs	1
Number of Tally Outputs	1
Inputs	Short to GND or TTL Low to Activate
Outputs	Relay Contact Closure (30V, 2A max)

### Optical

Operating Wavelengths	1471-1611nm
Tx Laser Output Power	0dBm (Class 1 Laser)
Receiver Sensitivity	-20dBm
Fiber Compatibility	Single-mode
Optical Connector Types	SC, ST, LC, SMPTE-304m plug, receptacle
Distance limit	40km w/Single-mode

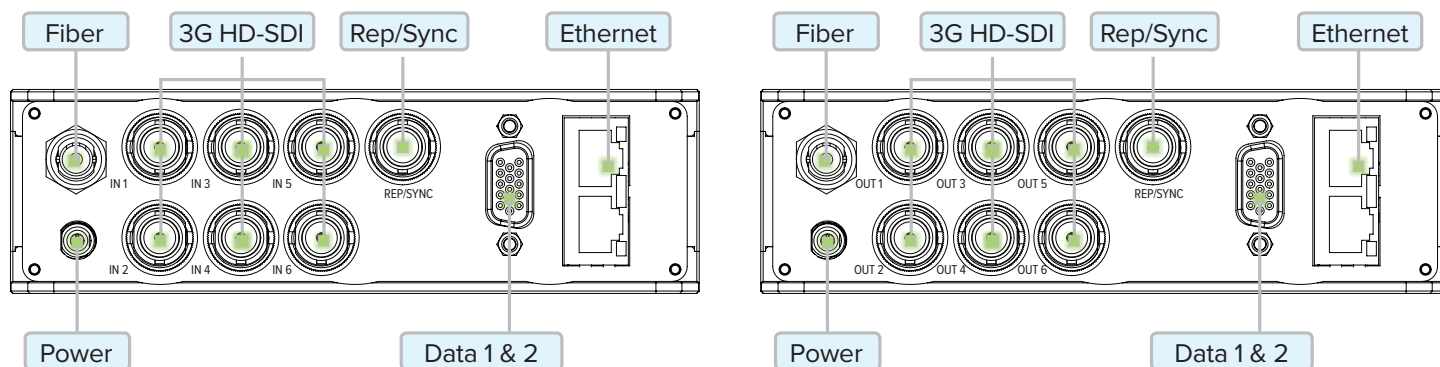
### Serial Data

Dimensions	(LxWxH) 7.25"x5.75"x1.75" (wider enclosure for remote powered model)
Video connectors:	BNC
Power Input:	2.5mm jack
Center pin	+
Power rating:	nominal 50w max@14 VDC
Power Requirement:	<10w @5-24VDC

1-800-488-8378  
1-516-671-7278  
sales@multidyne.com



## Rear Panels



## ORDERING INFORMATION

Part Number	Description
VB-3801-6X0-SDAEA-ST	6 Ch. 3.0 Gbps Multi-rate HD-SDI TX, EQ & Reclocker, 1 Ch. Genlock RX, 2 Ch. bidirectional analog audio (or 1 ch AES), 2 Ch. Data, 2 Ethernet ports, over 1 fiber; Singlemode, ST Connector
VB-3801-0X6-SDAEA-ST	6 Ch. 3.0 Gbps Multi-rate HD-SDI TX, EQ & Reclocker, 1 Ch. Genlock TX, 2 Ch. bidirectional analog audio (or 1 ch AES), 2 Ch. Data, 2 Ethernet ports, over 1 fiber; Singlemode, ST Connector
VB-3801-6X0-SDAEA-SR	6 Ch. 3.0 Gbps Multi-rate HD-SDI TX, EQ & Reclocker, 1 Ch. Genlock TX, 2 Ch. bidirectional analog audio (or 1 ch AES), 2 Ch. Data, 2 Ethernet ports, over 1 fiber; Singlemode, ST Connector, SMPTE-304m plug, receptacle
VB-3801-0X6-SDAEA-SP	6 Ch. 3.0 Gbps Multi-rate HD-SDI TX, EQ & Reclocker, 1 Ch. Genlock TX, 2 Ch. bidirectional analog audio (or 1 ch AES), 2 Ch. Data, 2 Ethernet ports, over 1 fiber; Singlemode, ST Connector, SMPTE-304m plug, receptacle
BD-BATT-AB	Anton Bauer Mount Battery option
BD-BATT-V	V Mount Battery option

1-800-488-8378  
1-516-671-7278  
sales@multidyne.com



© 02/2017 MultiDyne, Inc

Specifications subject to change without notice

Made in USA