

FEATURES

- ▷ Transport any optical, digital signal over one fiber
- ▷ No need for wavelength Specific equipment
- ▷ Put up to 18 optical signals on 1 fiber optic strand, from 1GB/sec/input to 12GB/sec/input.
- ▷ Bidirectional
- ▷ Repeats and retransmits up to 80KM.
- ▷ Plug and Play.
- ▷ Easy access to installed fiber infrastructures
- ▷ Small and portable
- ▷ Faster set and strike with fewer cables
- ▷ 12 channels in portable unit, up to 36 channels in 1RU

APPLICATIONS

- ▷ Where fiber strands are limited.
- ▷ Sports broadcasting
- ▷ Shared control rooms
- ▷ Remote studios
- ▷ Telemedicine
- ▷ Distance learning
- ▷ Corporate A/V
- ▷ Taking advantage of stadium and campus infrastructures

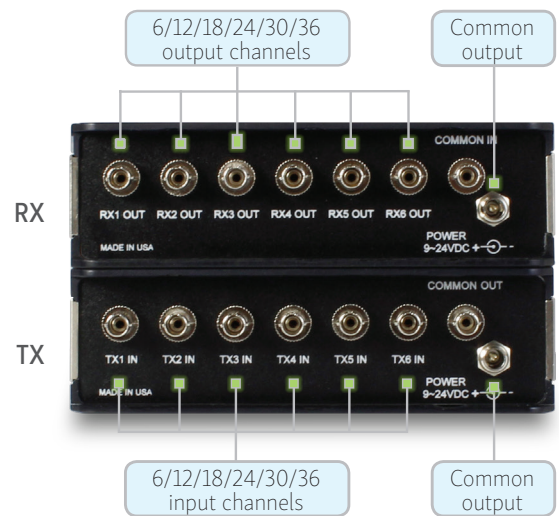
More optical signals over fewer fibers

The FS12G-Series helps engineers send and receive more optical signals over fewer fibers. When fiber is limited in metropolitan areas, stadiums and facilities, it can be a challenge or even impossible to get every optical signal on a CWDM wavelength for single fiber transport. The FS12G-Series offers wavelength ignostic inputs, giving the ability to multiplex any digital optical signal over one fiber in either direction.

For example, a user can deploy one strand of fiber and have 9 SMPTE cameras at one and their 9 CCUs at the other or take the fiber from a distant HD transmitter and combine it with several optical matrix outputs in an OB van.

Available in increments of 6 channels up to 36 in 1RU, the FS12G-Series offers a scalable and cost effective solutions when compared to running new fiber, in most cases.

In addition, the FS12G-Series is inherently an optical repeater, since each signal is internally relaunched in its appropriate wavelength, affording extended distances of up to 80K. In addition to below example, signals can be configured to run in either directing on the fiber.



TECHNICAL SPECIFICATIONS

BIT RATES: 19 MBPS TO 11.88GBPS
DEVICE COMPATIBILITY: SUPPORTS SDI VIDEO
CONNECTORS: 12 ST
SIGNAL LEVEL: -5DBM TO -15DBM
INPUT RANGE: 1250NM -1650NM
OUTPUT RANGE: MUXED CWDM FREQUENCY

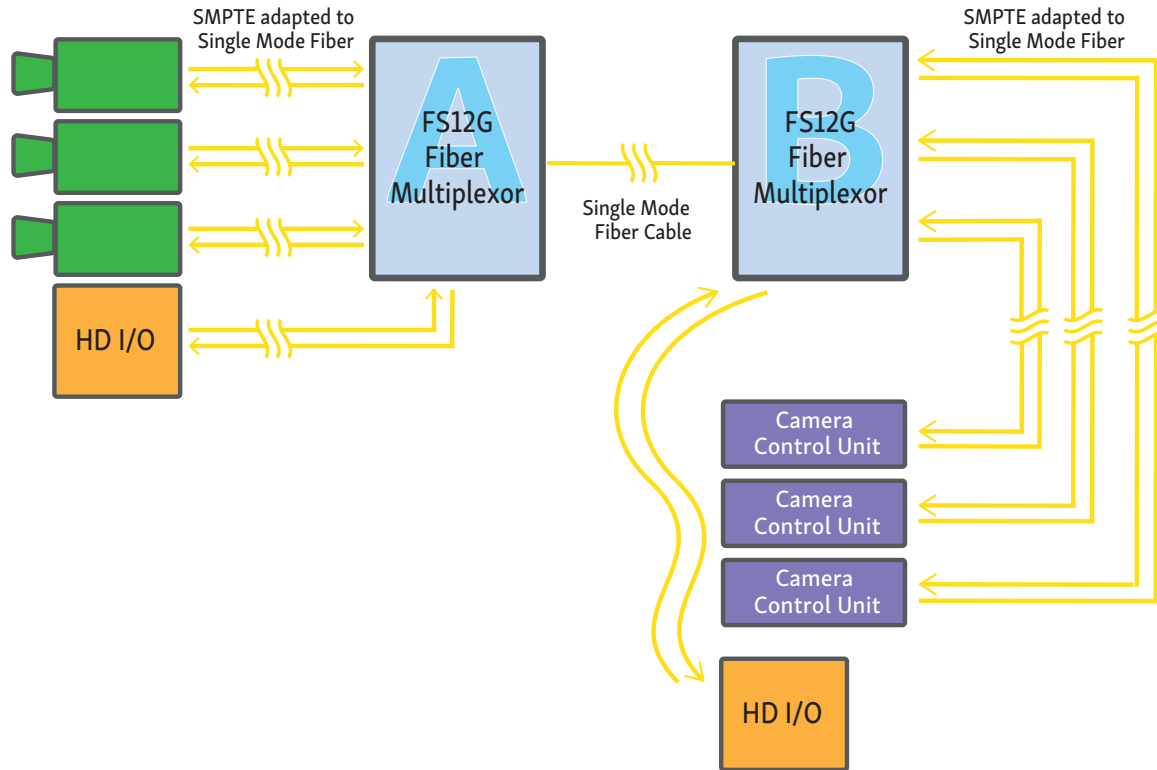
MECHANICAL SPECIFICATIONS
DIMENSIONS: 6.75" X 5.5" X1.75"
POWER: 9-24VDC < 20 WATTS
TEMPERATURE: 0 TO +55VDC
HUMIDITY: 0 TO 95% NON-CONDENSING

1-800-488-8378
 1-516-671-7278
 sales@multidyne.com



10 Newton Place,
 Hauppauge, NY 11788
 (516) 671-7278

APPLICATIONS



ORDER INFORMATION

Use part number configurator. Fill in requirements to create necessary ordering information

FS12G - ① x ② - ③ - ST

①	②	③
1-12 channels	1-12* channels	A= Tranceiver side A B =Tranceiver side B

Note: Combination of ① and ② must not exceed 12 channels. One functional set must have one A and one B unit.

1-800-488-8378
1-516-671-7278
sales@multidyne.com



© 01/17 MultiDyne

Specifications subject to change without notice

Made in USA

10 Newton Place,
Hauppauge, NY 11788
(516) 671-7278

www.MultiDyne.com