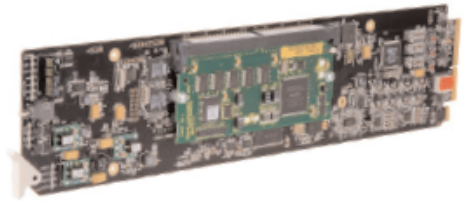


# EMB-4321G

HD/SD Embedder with Dolby® Decoding option



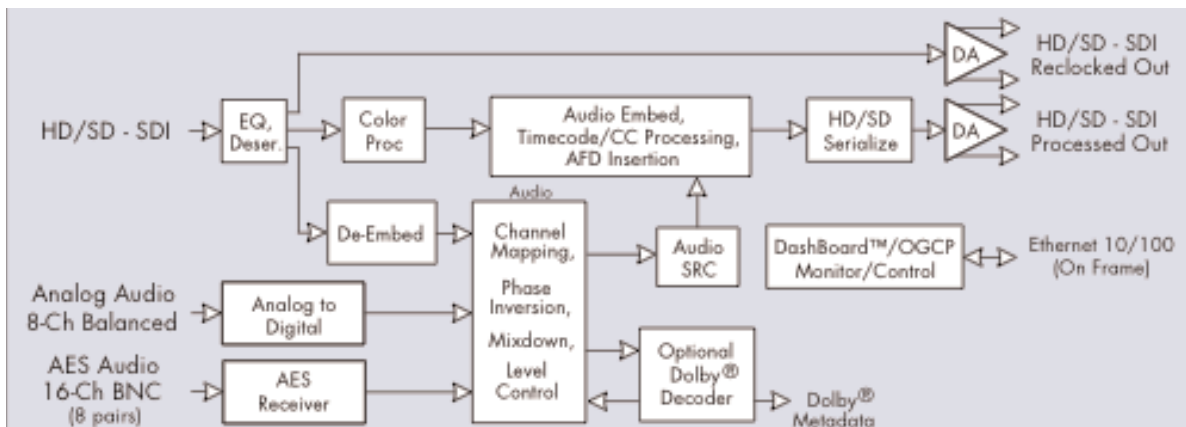
## SUMMARY

- HD/SD universal digital inputs
- 16 channels of de-embedding and embedding
- Eight analog audio inputs with 24-bit conversion
- 24-bit embedded audio processing
- Audio channel mapping phase inversion and level control
- 16 channels of sample rate conversion
- Dolby® Decoder option with metadata output
- Internal tone generator
- Video processing controls • Local or remote user controls
- Remote control/monitoring via Dashboard™ software
- Five year warranty

The EMB-4321G is a 24-bit audio processing card that supports 16 AES input channels, 16 de-embedded channels from the SDI input, and eight analog audio inputs. The 9323 in turn provides 16 re-embedded channels that can be sourced from any of the inputs.

Advanced audio features such as selectable Sample Rate Converters allow audio re-timing.

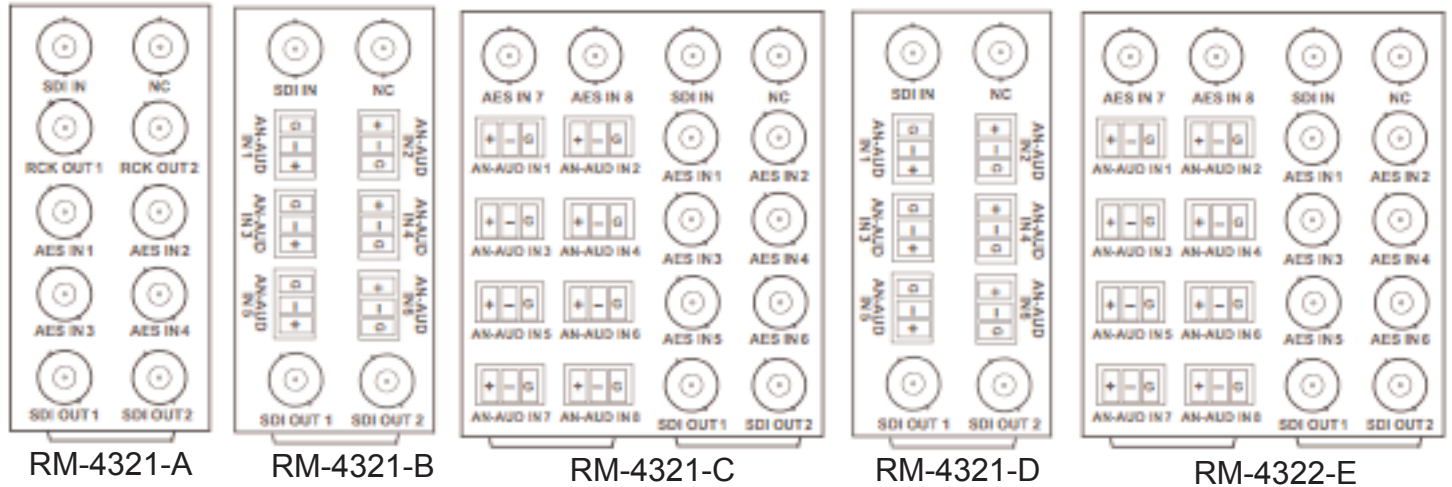
EMB-4321G-DEC – HD/SD-SDi audio embedder with a/v Processing and Dolby® Digital/e Decoding



## CONTACT

1-(800)-4TV-TEST (US and Canada)  
 1-(800) 488-8378  
 1-(516)-671-7278  
 FAX 1-(516)-671-3362

## REAR MODULES OPTIONS



## SPECIFICATIONS

### Electrical

Power: 10 watts  
 Power (Dolby®-DEC option): 12.5 watts

### HD/SD-SDI Input

Number of Inputs: 1  
 Standard: SMPTE 292 and 299M  
 Return Loss: >15 dB at 5 MHz - 1.485 GHz

### AES Input

Number of Inputs: 16-Ch unbalanced BNC  
 Impedance: 75 Ω  
 Input Level: 0.1 V to 2.5 V p-p (5 V p-p tolerant)  
 Resolution: 24-bit

### Analog Audio Input

Number of Inputs: 8-Ch Balanced  
 Connector: Removable 3-pin Phoenix  
 Signal Level: up to +24 dBu  
 Sample Rate: 48 kHz

### HD/SD-SDI Output

Number of outputs: 2 Processed  
 2 Reclocked  
 Standard: SMPTE 292 and 299M  
 Signal Level: 800 mV nominal  
 Return Loss: >15 dB at 5 MHz - 270 MHz  
 >12 dB at 270 MHz - 1.485 GHz  
 Jitter: HD: < 0.15 UI  
 SD: < 0.10 UI  
 Embedded Audio: 16-Ch SD/HD

## ORDERING INFORMATION

EMB-4321	HD/SD-SDI 16 Channel Audio Embedder with A/V Processing
EMB-4321DEC	HD/SD-SDI Audio Embedder with A/V Processing and Dolby® Digital/E Decoding
RM-9321-A	Rear I/O Module (Single Slot) HD/SD-SDI Input BNC, 4 AES Input BNCs, 2 HD/SD-SDI Output BNCs
RM-9321-B	Rear I/O Module (Single Slot) HD/SD-SDI Input BNC, 6 Analog Audio Inputs, 2 HD/SD-SDI Output BNCs AFD Insertion
RM-9321-C	Rear I/O Module (Double Slot) HD/SD-SDI Input BNC, 8 Analog Audio Inputs, 8 x AES Input BNCs, 2 Output BNCs
RM-9321-D	Rear I/O Module (Single Slot) HD/SD-SDI Input BNC, 7 AES Input BNCs, 2 HD/SD-SDI Output BNCs
RM-9321-E	Rear I/O Module (Double Slot) HD/SD-SDI Input BNC, 4 AES In BNCs, 8 Analog Audio In, 2 HD/SD-SDI Out BNCs, Dolby® Metadata Out

## CONTACT

1-(800)-4TV-TEST (US and Canada)  
 1-(800) 488-8378  
 1-(516)-671-7278  
 FAX 1-(516)-671-3362