

## DVI-ONE

WUXGA, DVI Over ONE Fiber  
Up to 1,000 Meters (3,300feet)



### SUMMARY

- High Speed and long distance transmission by SC type Multi-mode 1(one) Fiber
- Uses Transition Minimized Differential Signaling (TMDS) methods for maximum signal integrity
- Standard DVI plug and SC fiber connector.
- R,G,B,Clock signal is transmitted by 1(one) multimode optical fiber
- Maximum resolution WUXGA 1920 x 1200
- DDC detection function for auto learning EDID Monitor Resolution information.
- Connect TX unit to monitor to learn EDID Resolution Parameters.
- Optional external power supply (Automatic power switch

is included.)

-One Power Adapter Included.

Optical Source: 850nm VCSEL

O/E Converter: PIN Photo Diode

Fiber Type: 50 or 62.5/125 SC Multi-mode

Frequency Bandwidth: 1.65 Gbps (Single Link)

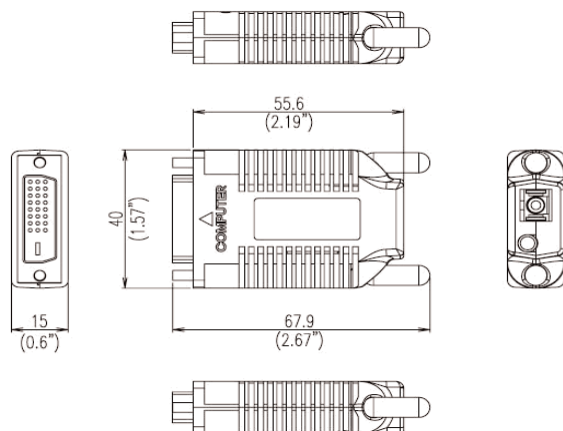
Resolution & Distance: WUXGA resolution (1920 x 1200)  
1 Km(3,300ft)

Power Consumption:

Tx:1.0Watt(max),Rx:1.0Watt(max)

Operating Temperature Range

### MECHANICAL & ORDERING



For Pre-Programmed EDID Monitor Resolution  
DVI-ONE-#

# =

- 0 - No DDC Check
- W - WUXGA
- U - UXGA
- S - SXGA
- X - XGA
- G - SVGA
- A - VGA

### CONTACT

1-(877) MULTIDYNE (US and Canada)  
1-(800) 488-8378  
1-(516)-671-7278  
FAX 1-(516)-671-3362