

DEM-4322G

HD/SD De-embedder with Dolby® Decoding option



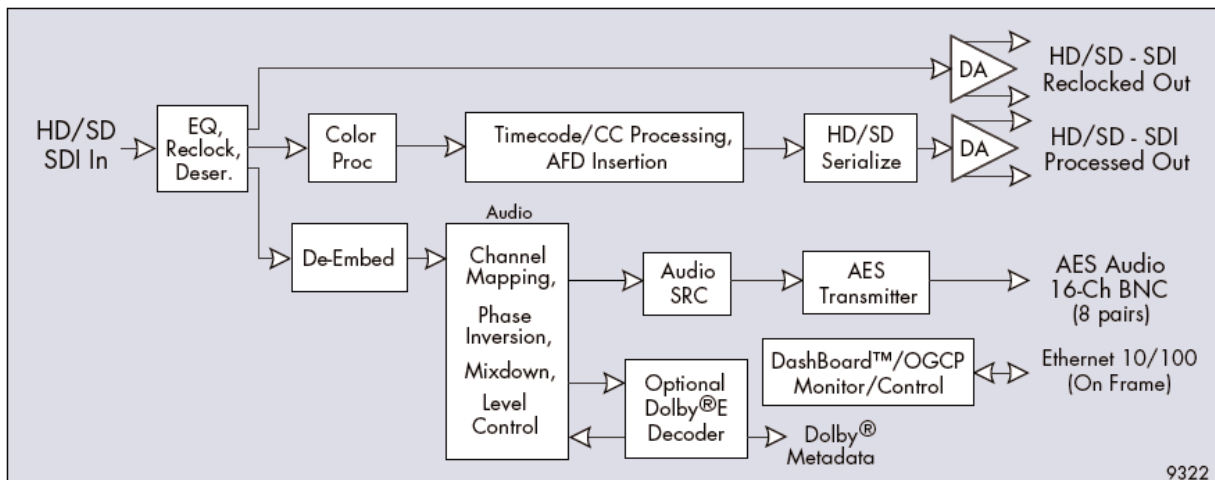
SUMMARY

- HD/SD universal digital inputs
- 24-bit audio processing
- 16 channels of sample rate conversion
- Internal tone generator
- Local or remote user controls
- Five year warranty
- 16 channels of AES de-embedding
- Audio channel mapping phase inversion and level control
- Dolby® Decoder option with metadata output
- Video proc controls
- Remote control/monitoring via Dashboard™

The DEM-4322G is a 24-bit audio processing card that supports 16 embedded channels. The DEM-4322G in turn provides 16 de-embedded channels that can be sourced from any of the input embedded channels.

The DEM-4322G features full user remote and card-edge proc control that allows adjustment of audio levels and routing. Full video proc control with user memory allows adjustment of white level, black level, color gain, and color phase. Factory presets enable a return to factory settings.

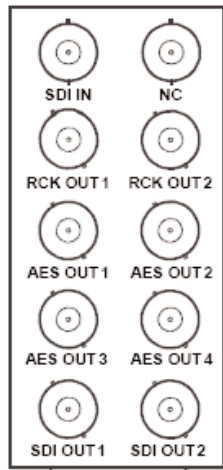
DEM-4322G – HD/SD-SDi audio De-embedder with A/V Processing and Dolby® Digital/E Decoding



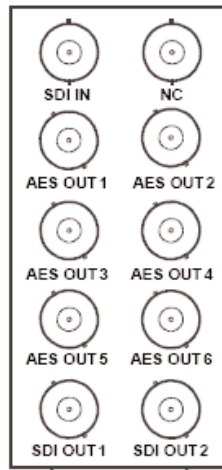
CONTACT

1-(800)-4TV-TEST (US and Canada)
 1-(800) 488-8378
 1-(516)-671-7278
 FAX 1-(516)-671-3362

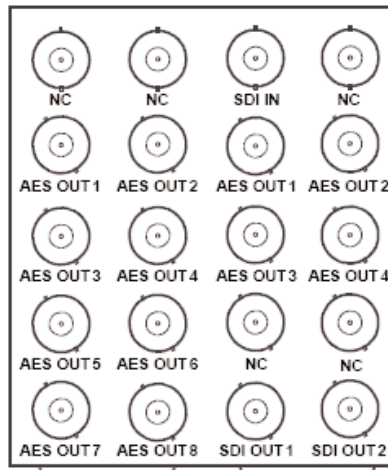
REAR MODULES OPTIONS



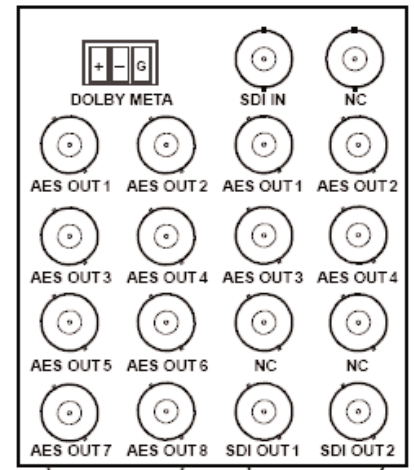
RM-4322-A



RM-4322-B



RM-4322-C



RM-4322-E

SPECIFICATIONS

Electrical

Power: 9 watts
 Power (Dolby®-DEC option): 11.5 watts

HD/SD-SDI Input

Number of Inputs: 1
 Standard: SMPTE 292 and 259M
 Return Loss: >15 dB at 5 MHz - 1.485 GHz

AES Output

Number of outputs: 16-Ch unbalanced BNC
 Impedance: 75 Ω
 Sample Rate: 48 kHz
 Resolution: 24-bit

HD/SD-SDI Output

Number of outputs: 2 Processed
 2 Reclocked
 Standard: SMPTE 292 and 259M
 Signal Level: 800 mV nominal
 Return Loss: >15 dB at 5 MHz - 270 MHz
 >12 dB at 270 MHz - 1.485 GHz
 Jitter: HD: < 0.15 UI
 SD: < 0.10 UI
 Embedded Audio: 16-Ch SD/HD

ORDERING INFORMATION

DEM-4322	HD/SD-SDI 16 Channel Audio De-Embedder with A/V Processing.
DEM-4322-DEC	HD/SD-SDI Audio De-Embedder with A/V Processing and Dolby® Digital/E Decoding.
RM-4322-A	Rear I/O Module (Single Slot) HD/SD-SDI Input BNC, 4 AES Output BNCs, 2 HD/SD-SDI Output BNCs.
RM-4322-B	Rear I/O Module (Single Slot) HD/SD-SDI Input BNC, 6 AES Output BNCs, 2 HD/SD-SDI Output BNCs.
RM-4322-C	Rear I/O Module (Double Slot) HD/SD-SDI Input BNC, 12 AES Output BNCs, 2 HD/SD-SDI Output BNCs.
RM-4322-E	Rear I/O Module (Double Slot) HD/SD-SDI Input BNC, 8 AES Output BNCs, Dolby® Metadata Out, 2 HD/SD-SDI Output BNCs.

CONTACT

1-(800)-4TV-TEST (US and Canada)
 1-(800) 488-8378
 1-(516)-671-7278
 FAX 1-(516)-671-3362